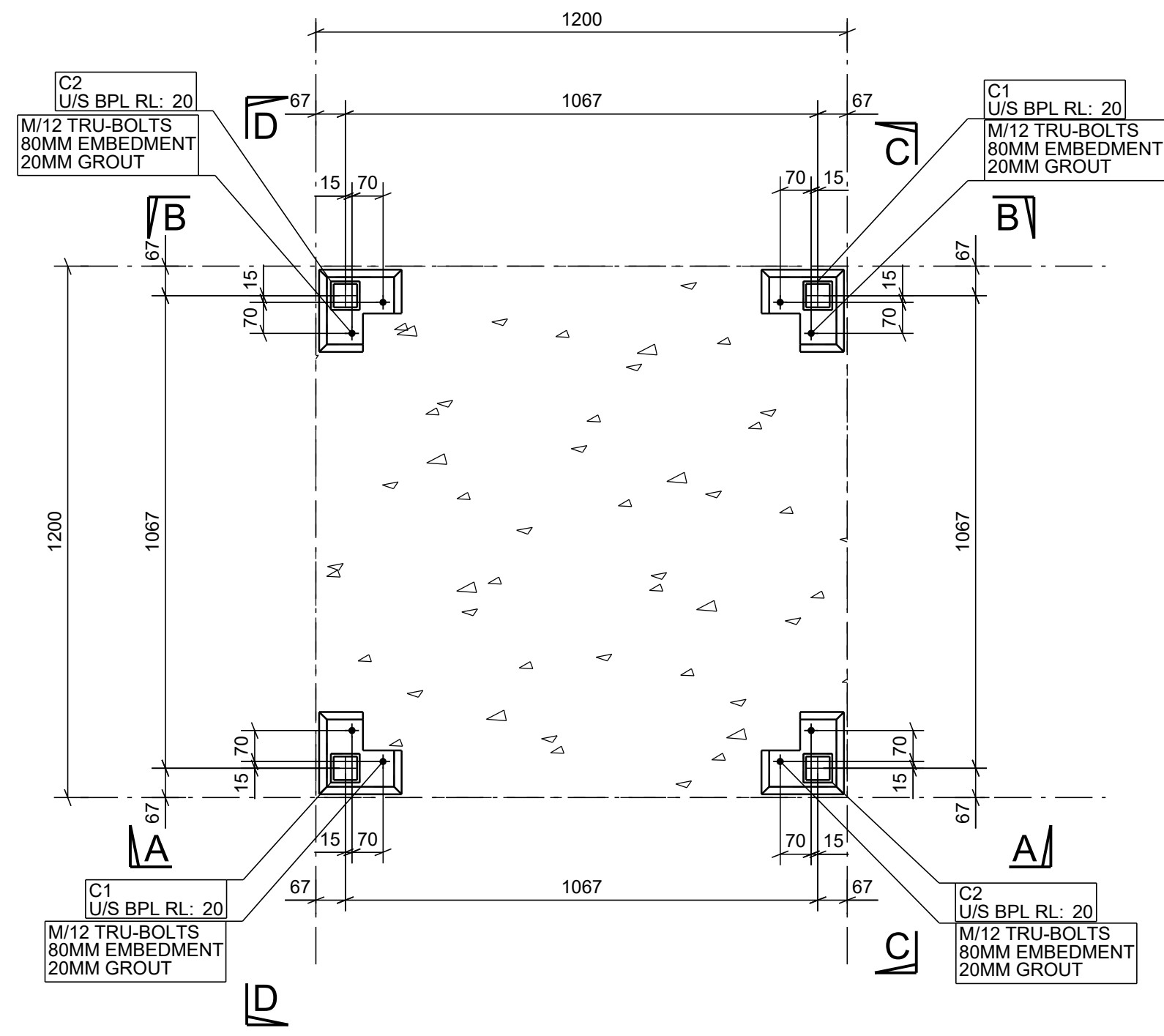
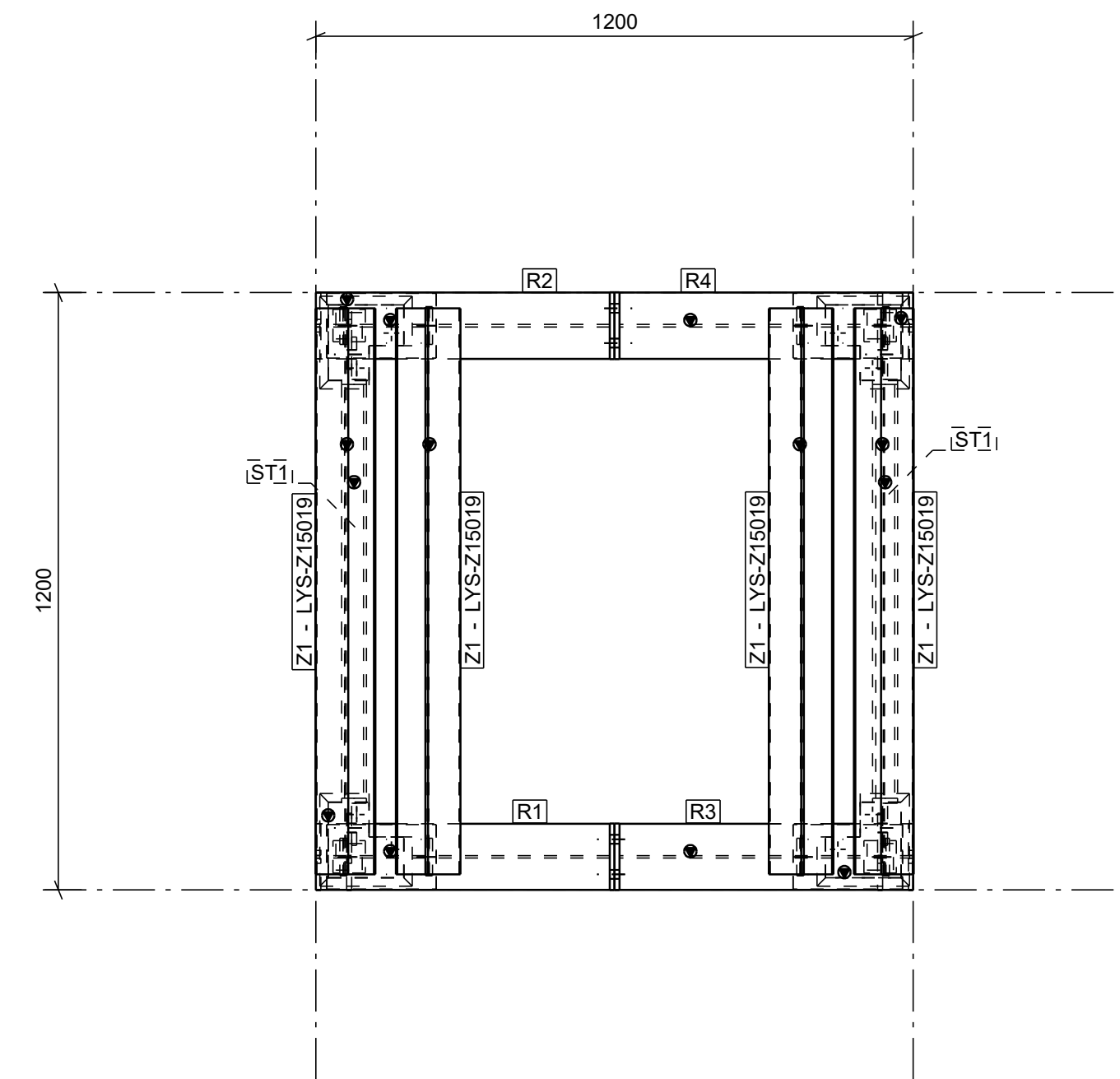


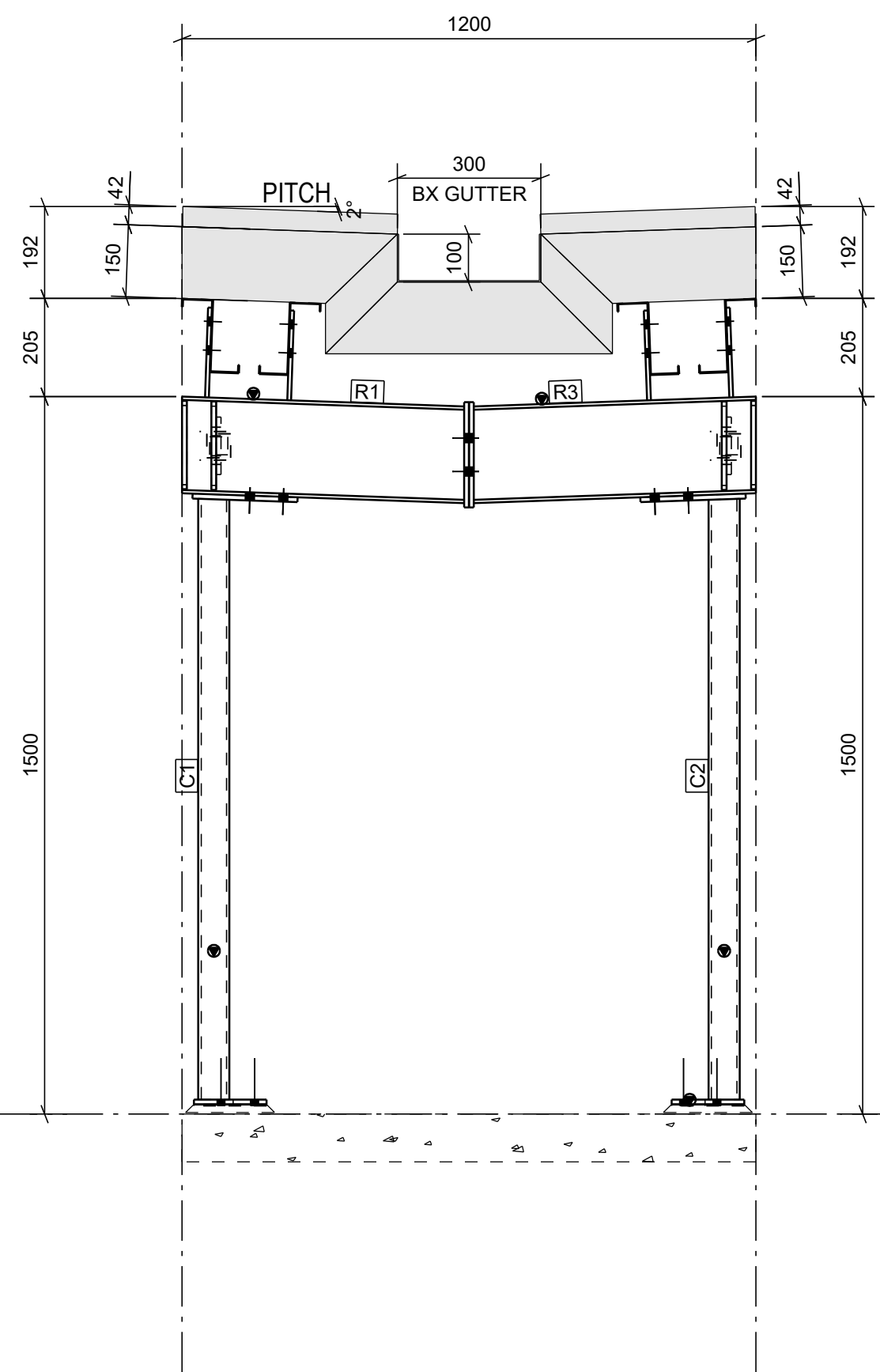
3D-ISO VIEW



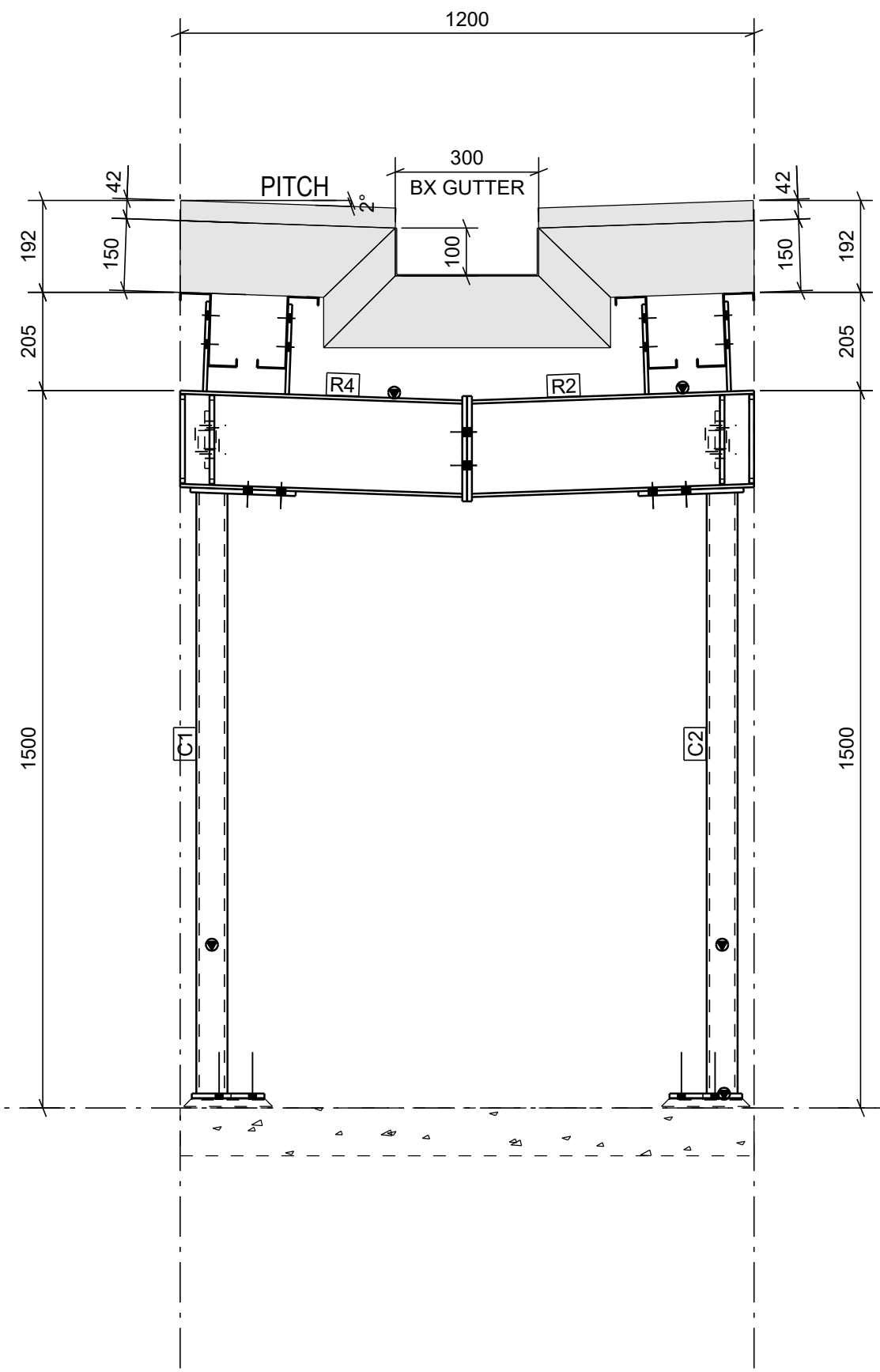
GROUND LEVEL



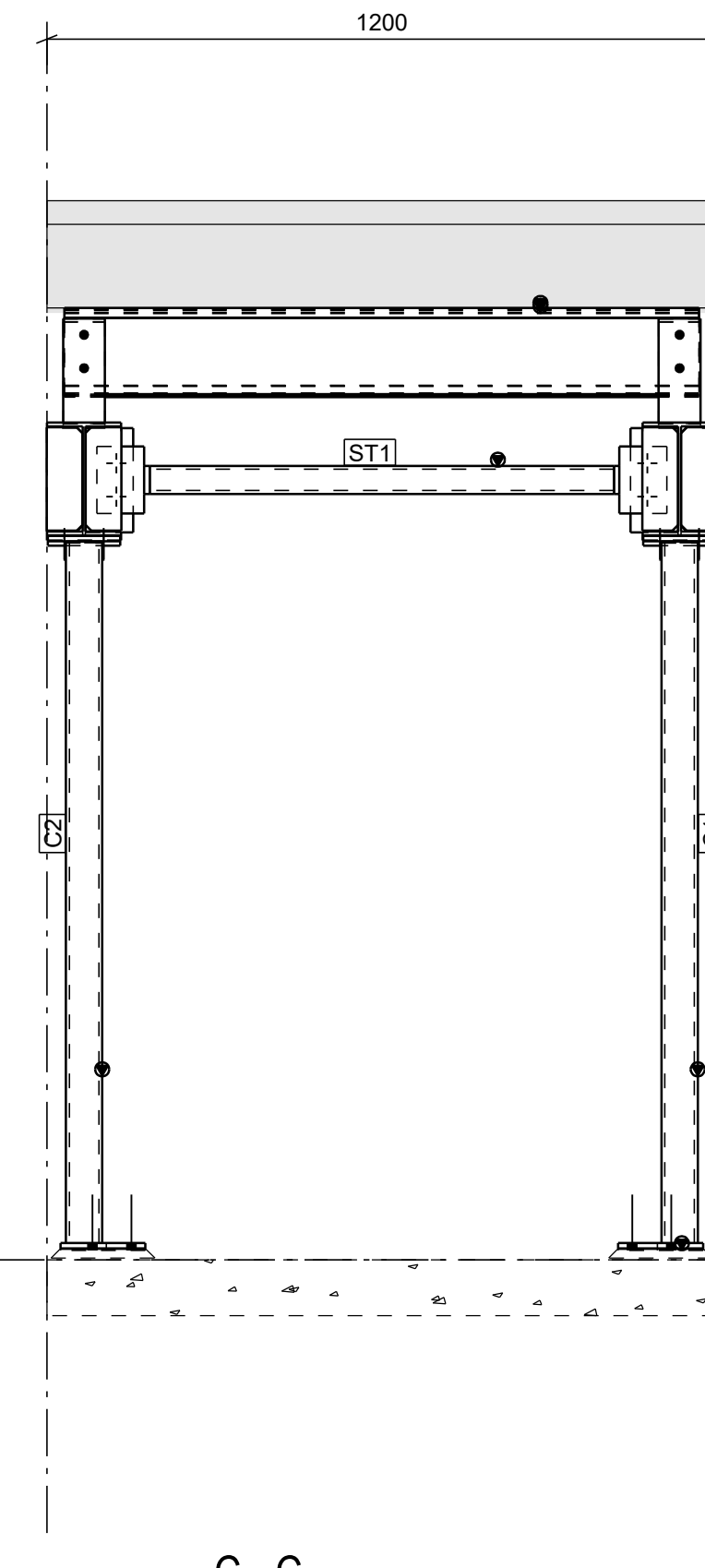
ROOF LEVEL



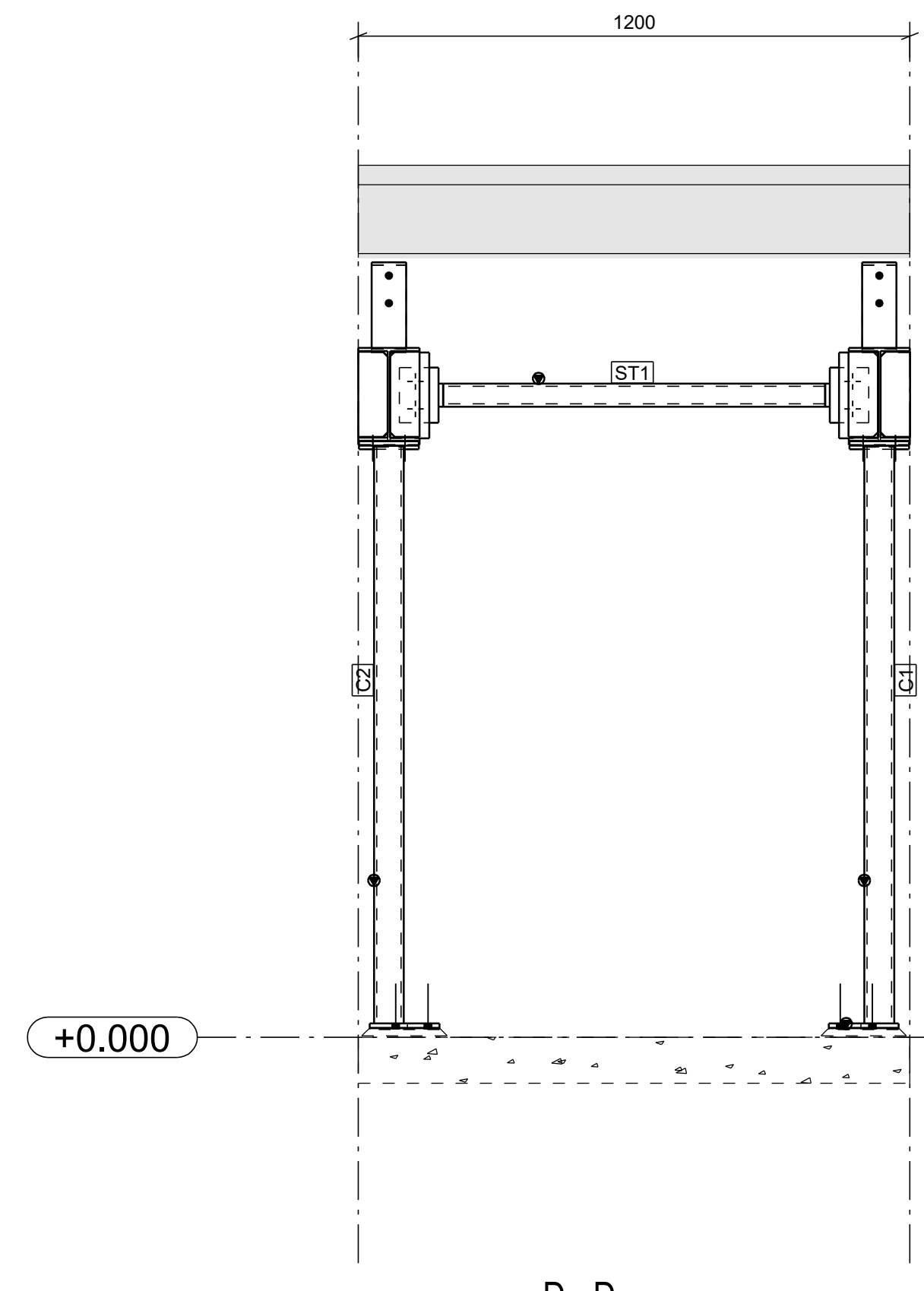
A-A



B-B



C-C



D-D

+0.000

+0.000

+0.000

+0.000

NOTE: BEAMS POSITION IN RELATION TO INCOMING CLEAT IS DETERMINED BY THIS SYMBOL. STAMP IS TYPICALLY ON TOP OF THE BEAM, AT ONE END. - IF IN DOUBT -- ASK

REV	DATE	DESCRIPTION	DW
A	19/03/21	ISSUED FOR APPROVAL	

GANN & SONS
 7 Palms Court
 SMITHFIELD SA 5114
 Ph: (08) 8284 5640

JOB NO: 9999
 DRAWN: JF
 CHECKED: GS
 DATE: 19.03.2021

PROJECT: INNOVATION PROJECT
 LOCATION:
 DESIGNER: SARAH
 DRAWING NO: MP01 - INNOVATION STEEL PLAN

ISSUED FOR CONSTRUCTION