

pace 600[®]

ALUMINIUM WALKWAY



1300 301 755
SAYFA.COM.AU

PROPRIETARY WALKWAY SYSTEM
FOR SAFE WORK AT HEIGHT

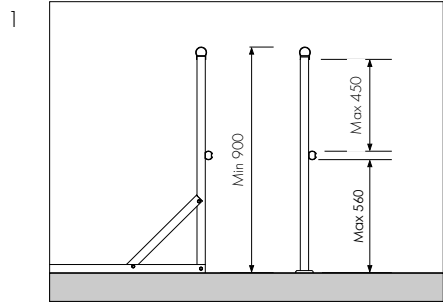
⚠ MUST BE READ AND UNDERSTOOD PRIOR TO USE

SYSTEM INSTALLATION
MANUAL



25/3/2021

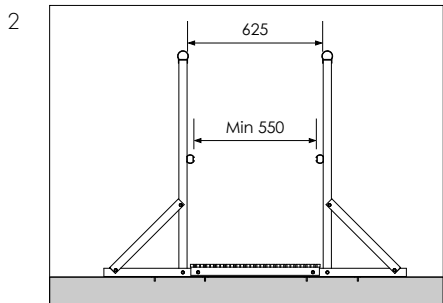
Typical Guardrail Requirements (From AS1657 :2018 Standards)



Guardrail Height

Minimum height for guardrailing is 900mm from the walking surface.

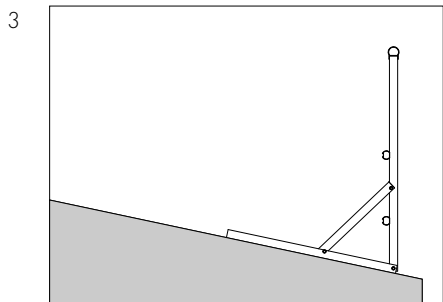
If guardrail is more than 1100mm high, a third rail is required



Width Between Guardrails

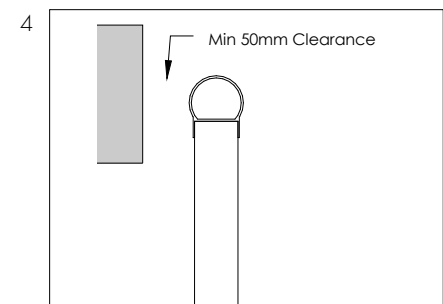
Horizontal distance between guardrails, intermediate rails or toeboards shall not be less than 550mm.

Minimum width of walkway must be 600mm.



Guardrail on Sloping Roofs

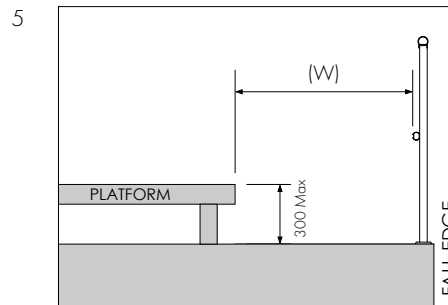
If there is guardrail on the edge of the roof where the slope is 12° or greater, a third rail is recommended.



Hand Clearance

The distance between the edge of the handrail and any adjacent structure must be no less than 50mm.

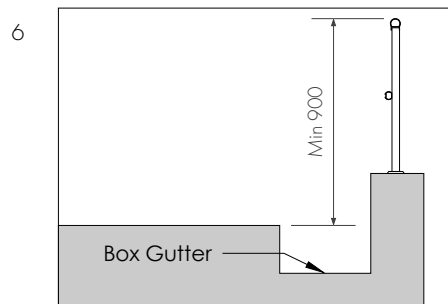
NOTE. A Handrail provides a handhold. eg. Stairway. This may not be applicable when used as a guardrail. (Barrier as edge protection)



Guardrail on Platforms

Guardrail is not required on a platform if the height to lower landing is less than 300mm and (W) is not more than 1000mm. If (W) is less than 1000mm then the guardrail height must be increased by 300mm.

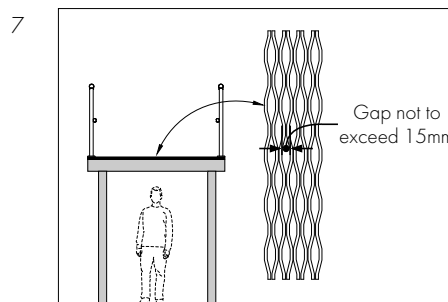
If platform is higher than 300mm, guardrailing is required on the platform.



Guardrail on Parapet

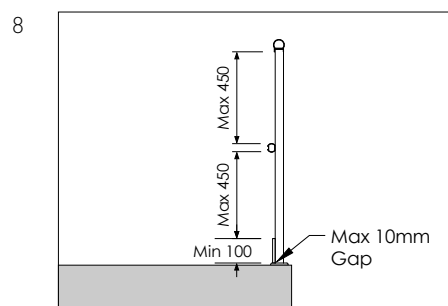
Height of guardrail must be min 900mm from main walking surface e.g. roof deck.

(Unless box gutter is more than 1000mm wide - then height is measured from box gutter)



Safety Below Platform or Landing

Where persons have access to or work beneath any platform or landing, the floor of such platform or landing shall be designed, or provided with protection, to prevent objects falling through the floor reaching the area below - Max 15mm Opening. Use small Mesh or Checkerplate.



Toeboard

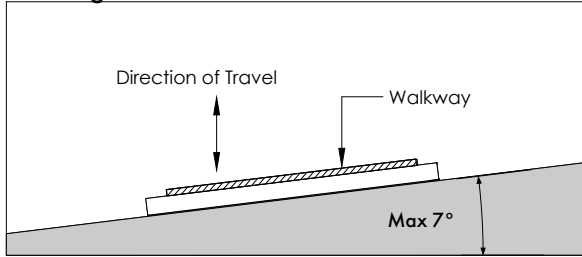
A toeboard (Min 100mm) shall be installed on the edge of a walkway which an object could fall to where persons have access to the area below and to the side of the walkway.

Typical Guardrail Requirements (From AS1657 :2018 Standards)

Typical Walkway Application Types

ACROSS SLOPE

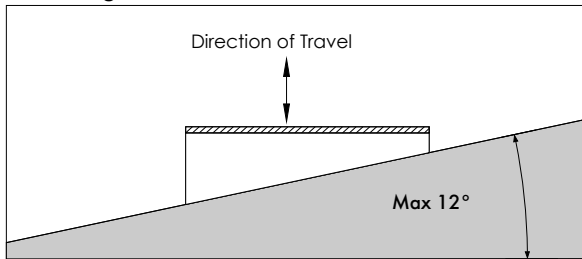
0 - 7 Degrees



Roof Angle : 0 - 7 Degrees

- Walkway same angle as roof

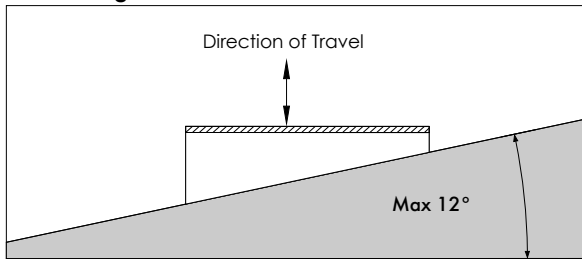
7 - 10 Degrees



Roof Angle : 7 - 10 Degrees

- Walkway to be levelled

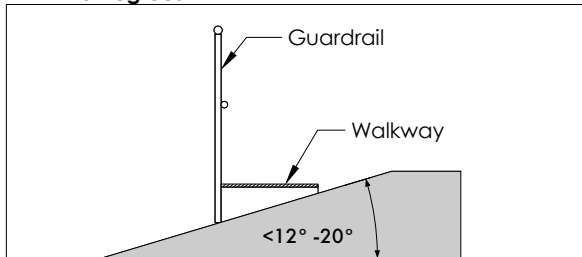
10 - 12 Degrees



Roof Angle : 10 - 12 Degrees

- Walkway to be levelled

>12 - 20 Degrees

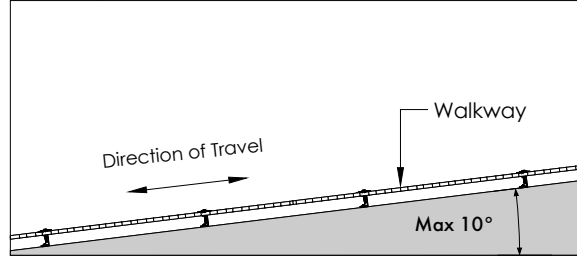


Roof Angle : >12 - 20 Degrees

- Walkway to be levelled
- Guardrail required

IN-LINE WITH SLOPE

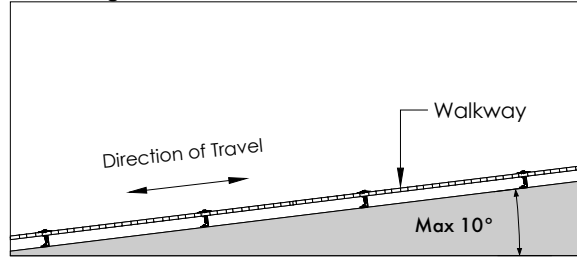
0 - 7 Degrees



Roof Angle : 0 - 7 Degrees

- Walkway same angle as roof

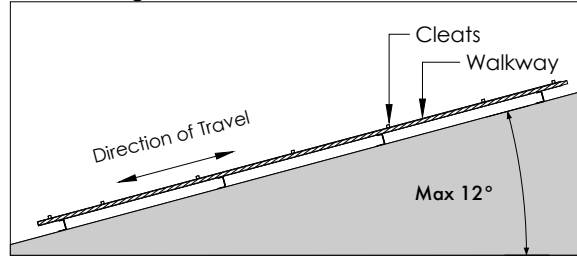
7 - 10 Degrees



Roof Angle : 7 - 10 Degrees

- Walkway same angle as roof

>10 - 12 Degrees

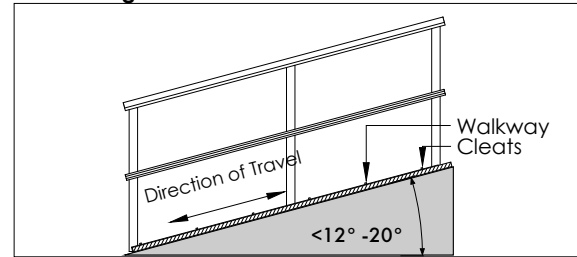


Roof Angle : >10 - 12 Degrees

- Walkway same angle as roof
- Cleats required

Cleat Spacings:
Slopes 10°- 15° - 450mm
Slopes 15+°- 18° - 400mm
Slopes 18+°- 20° - 350mm

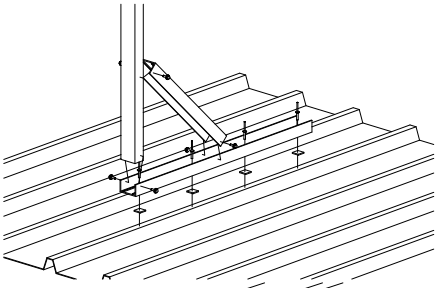
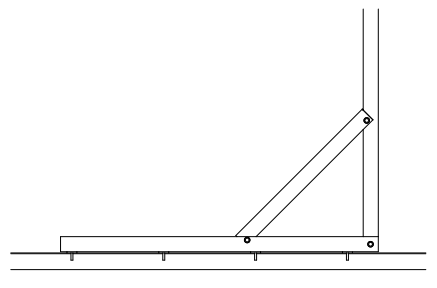
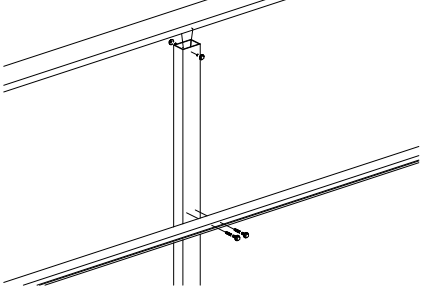
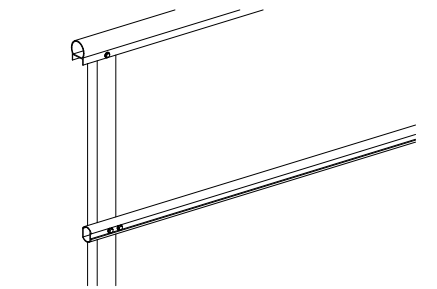
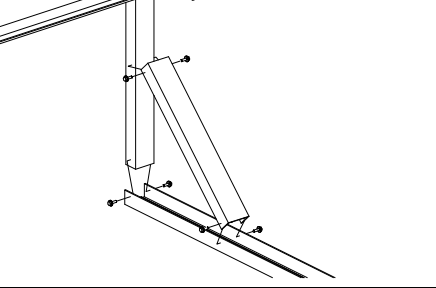
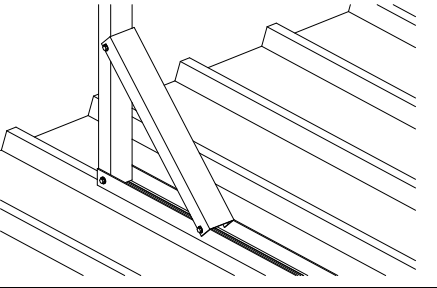
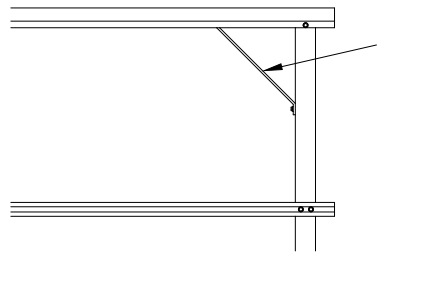
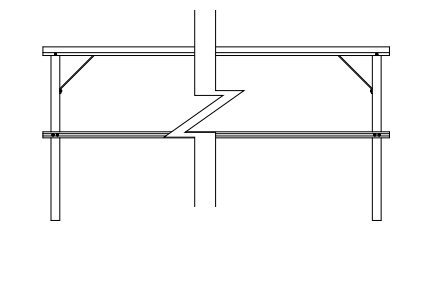
12 - 20 Degrees



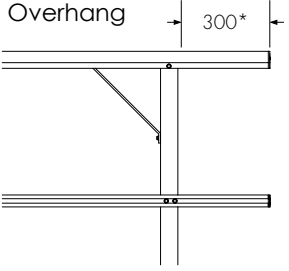
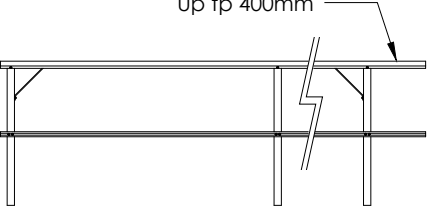
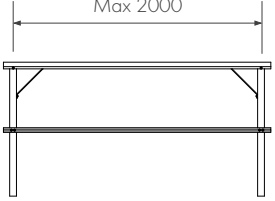
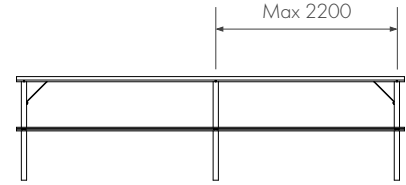
Roof Angle : 12 - 20 Degrees

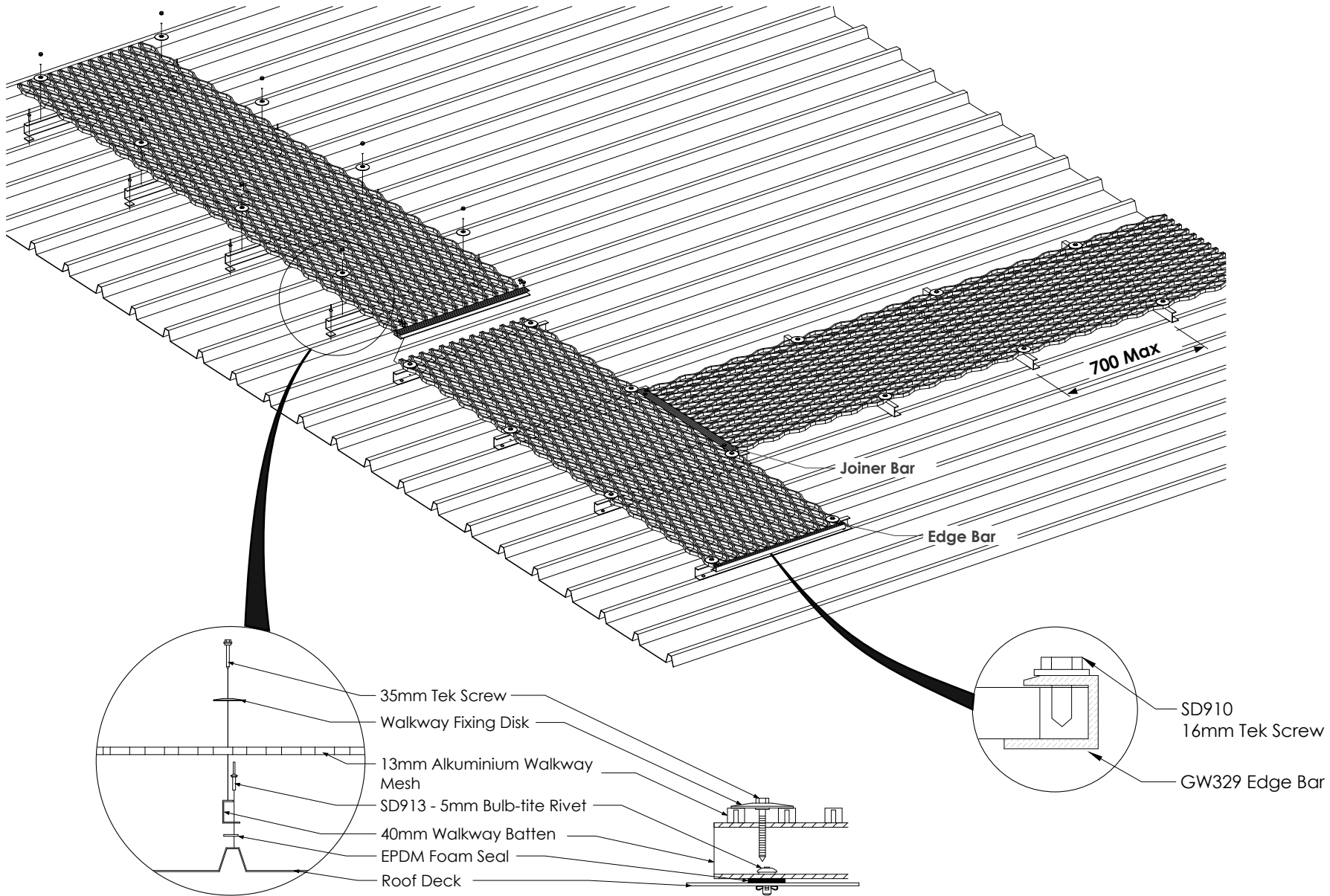
- Walkway same angle as roof
- Cleats required
- Guardrails required on both sides

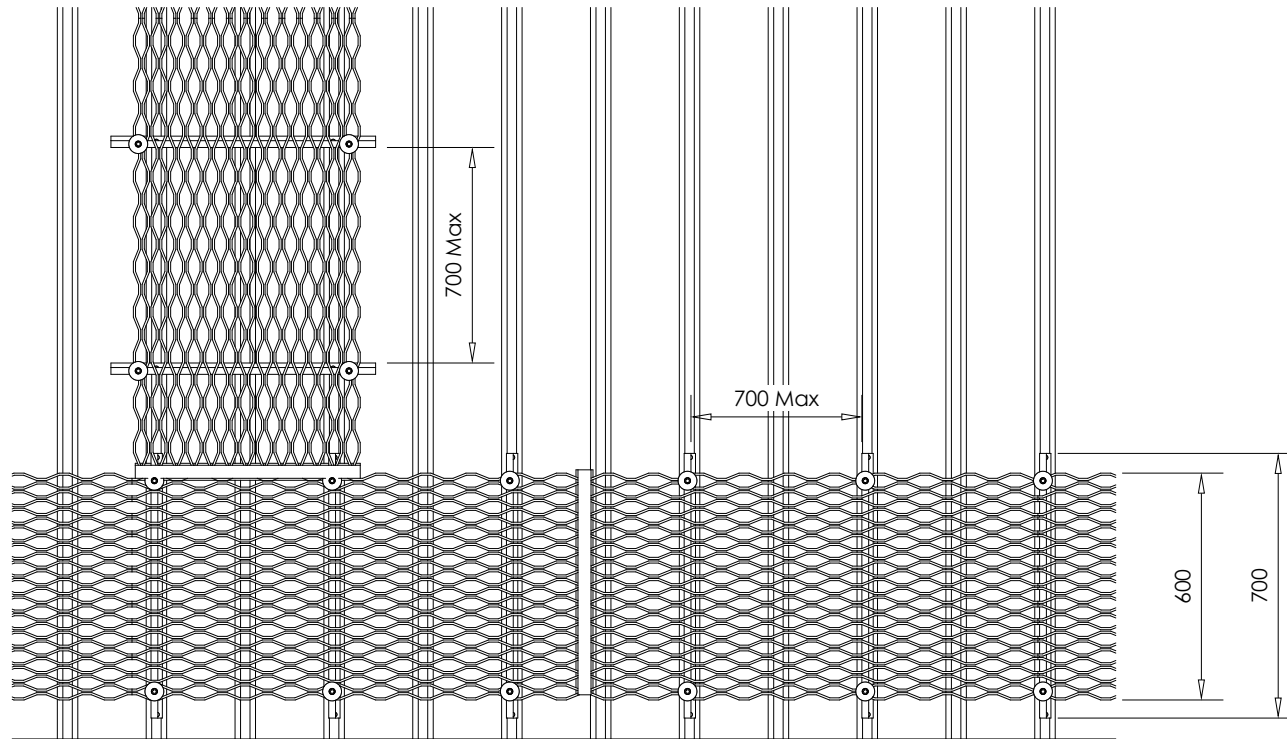
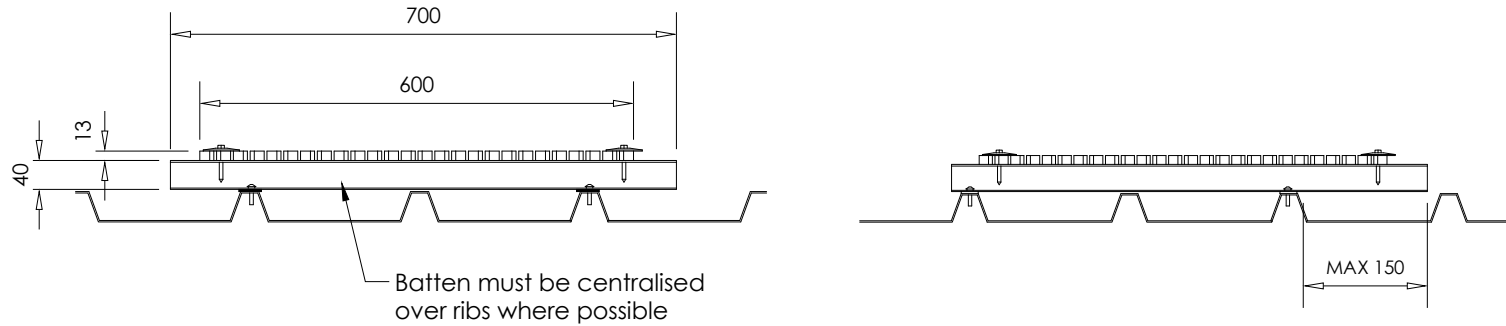
SENTRY GUARDRAIL CRITERIA

PART (View 1)	PART (View 2)	CRITERIA	CHECKED / COMMENTS
		<p>Minimum Qty of fixings:- 4 x 5mm bulb-tite rivets or 3 x 8mm bulb-tite rivets For any guardrail channel fixed to roof deck</p>	
		<p>Minimum 2 fixings into Handrail Minimum 2 fixings into Kneerail</p>	
		<p>Minimum Qty - 2 x Fixings for each connection point</p>	
		<p>Minimum 2 braces required for every straight length of guardrail. Note, only roof deck mounted systems require the braces</p>	

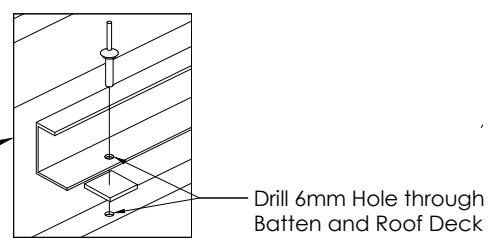
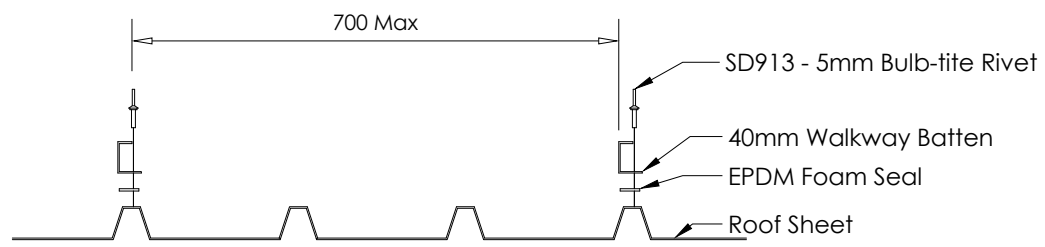
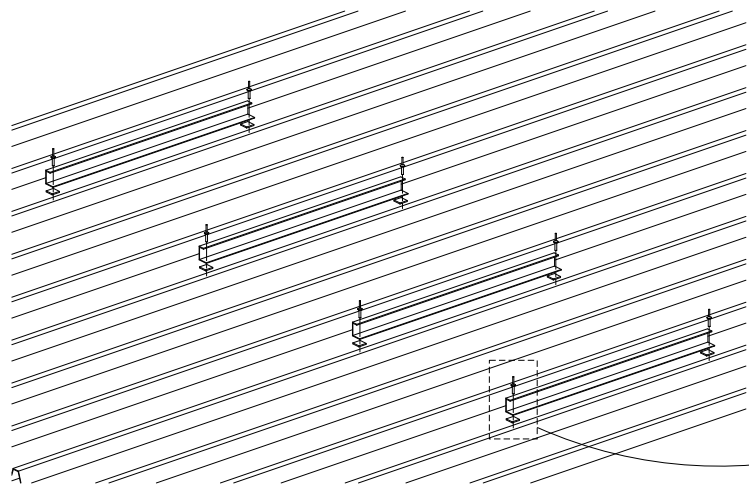
SENTRY GUARDRAIL CHECKING CRITERIA

PART (View 1)	PART (View 2)	CRITERIA	CHECKED / COMMENTS
 <p>Overhang → 300*</p>	 <p>Up to 400mm</p>	<p>*Overhang Allowance 300mm Preferred 400mm Max if multiple span (more than 2 posts)</p>	
 <p>Max 2000</p>	 <p>Max 2200</p>	<p>**Post Spacing 2000mm Preferred 2200mm Max if multiple span (more than 2 posts)</p>	

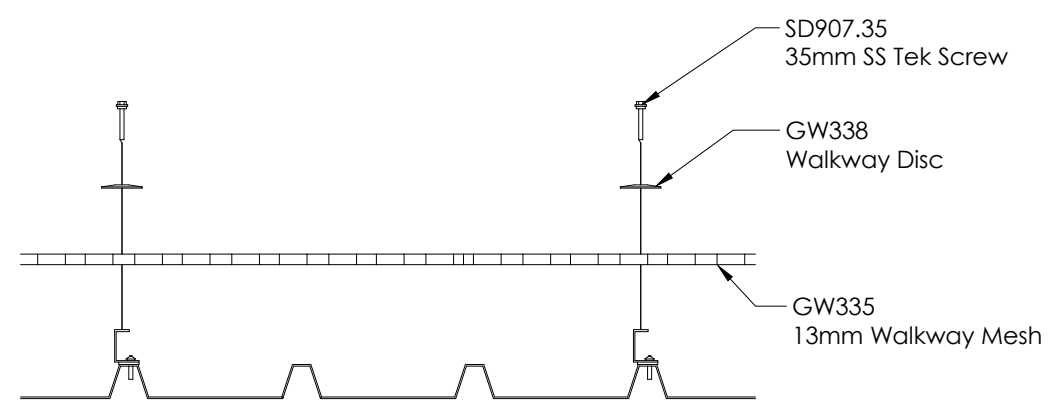
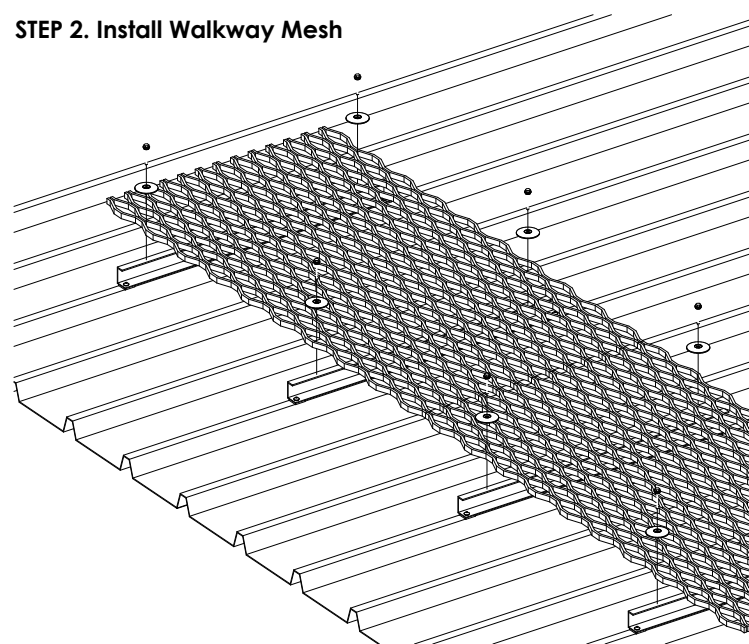


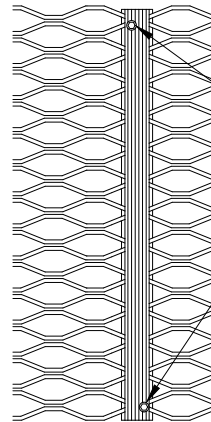
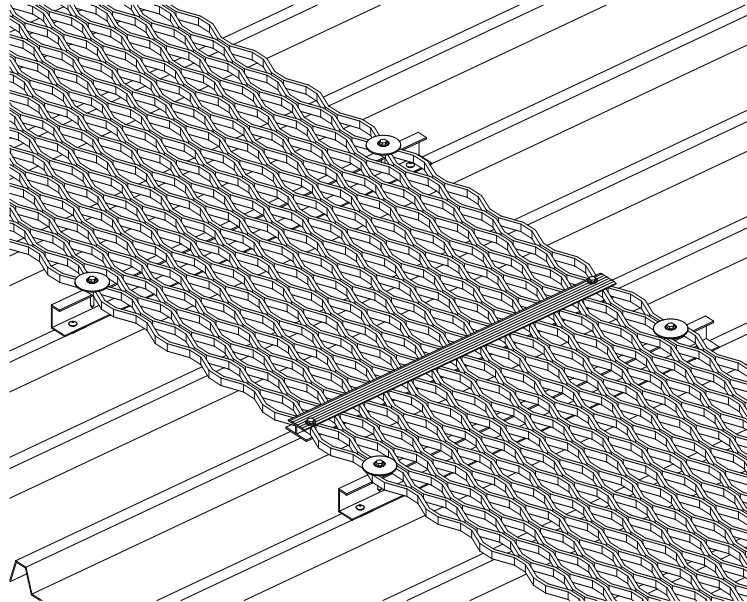
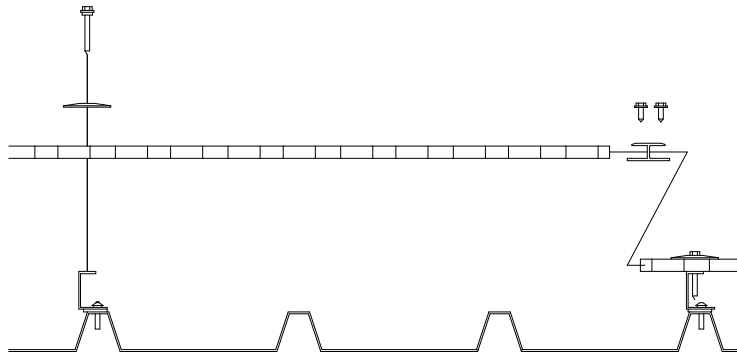
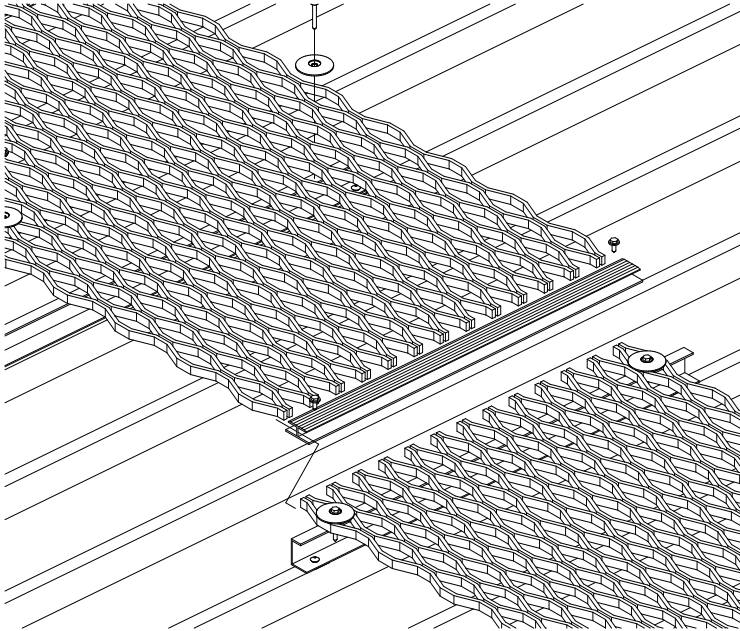


STEP 1. Install Battens

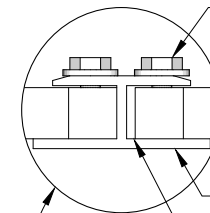


STEP 2. Install Walkway Mesh





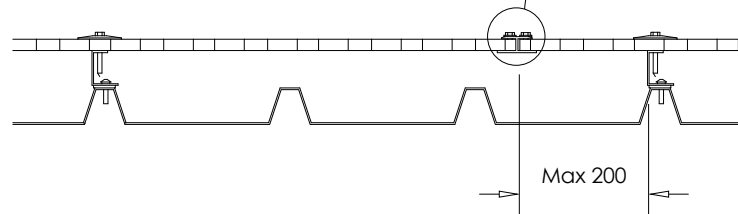
Place screws on opposite sides



16mm Tek Screw

GW325
Walkway Joiner Bar

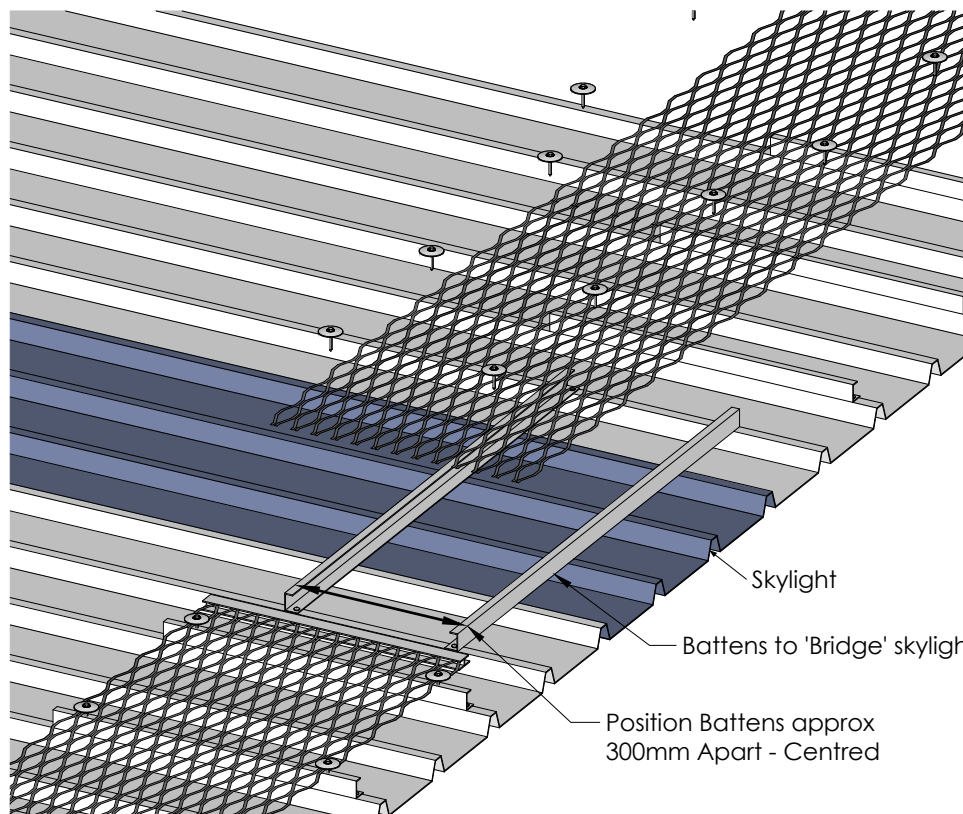
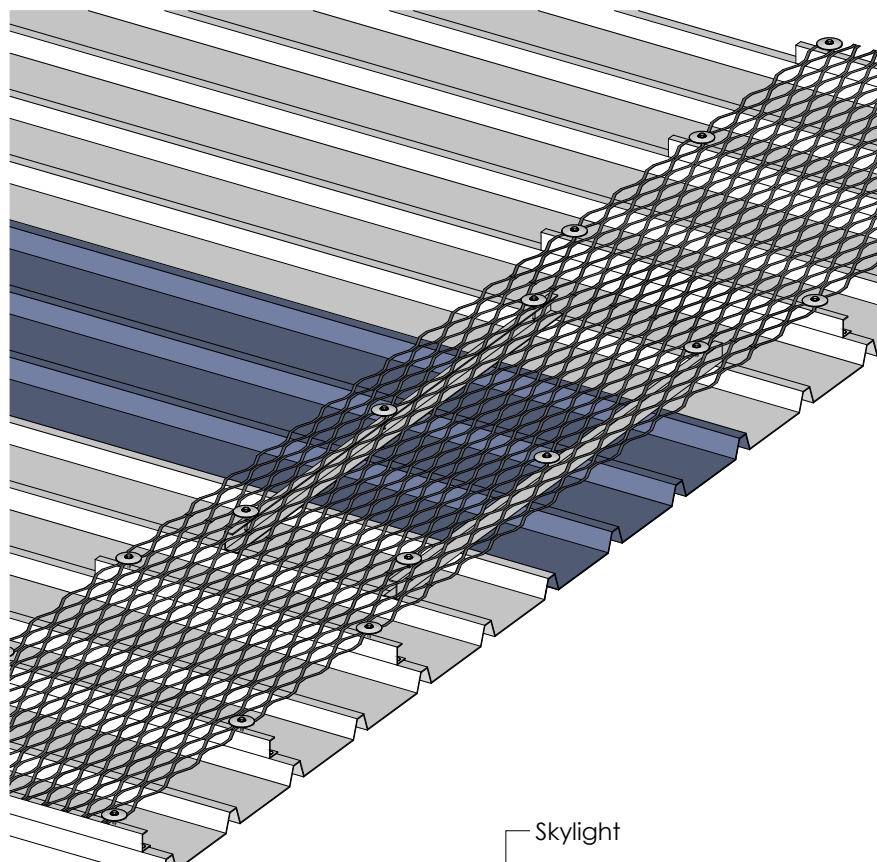
3mm Gap



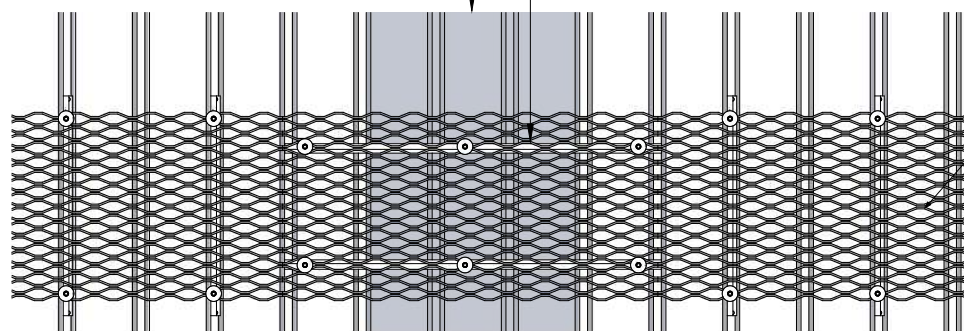
Max 200

Walkway Joiner Bar is to be no more than 200mm from a support





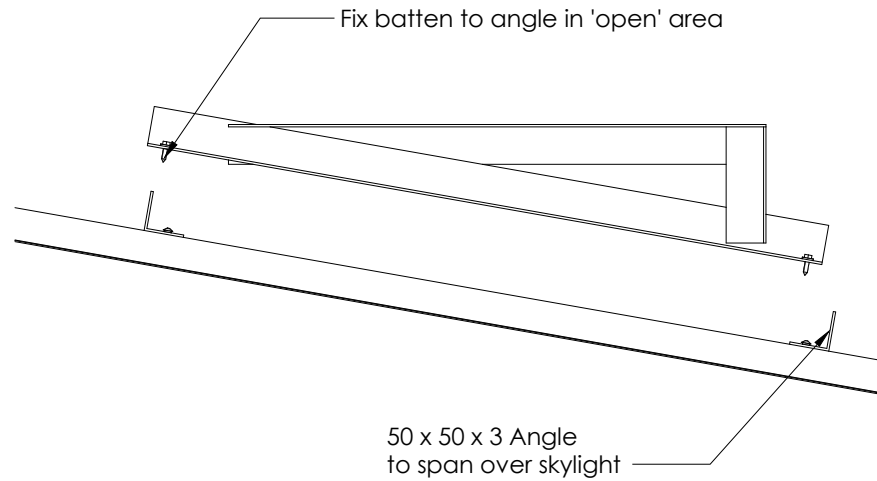
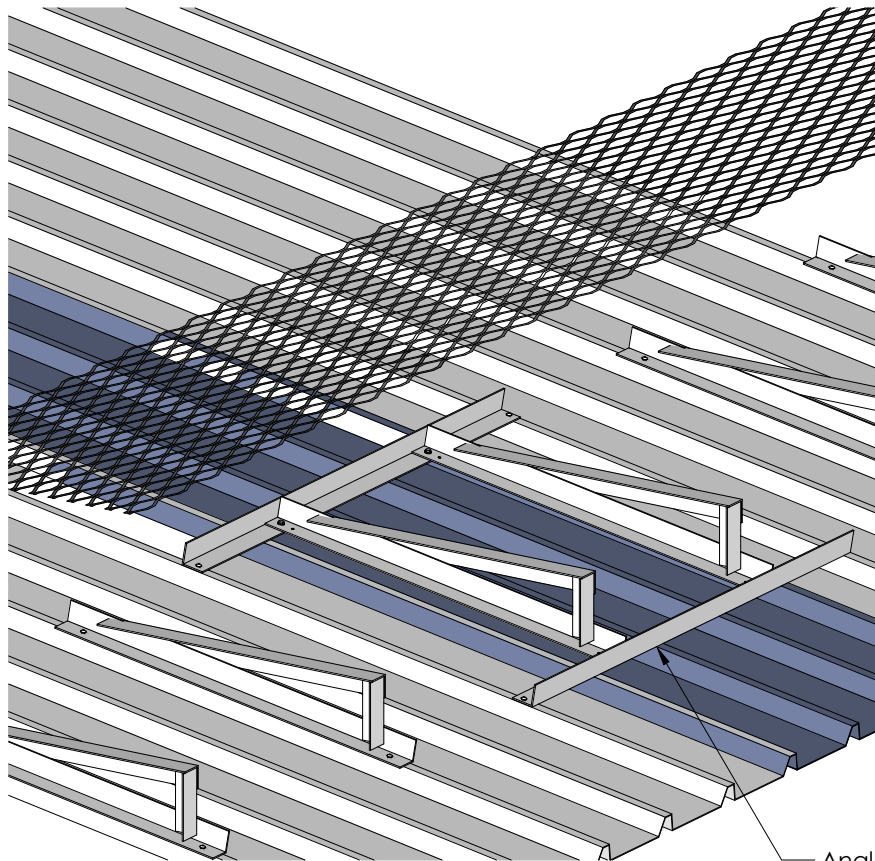
Skylight
 Battens running across ribs
 (must be attached to metal roof deck each side)



Standard walkway details



LEVELLED WALKWAY OVER SKYLIGHT (LENGTH WAYS)
USING C-CHANNEL (AL729)



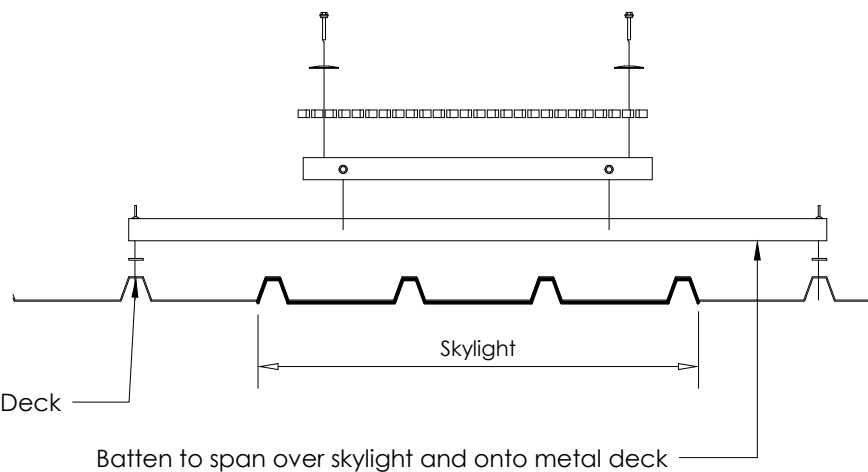
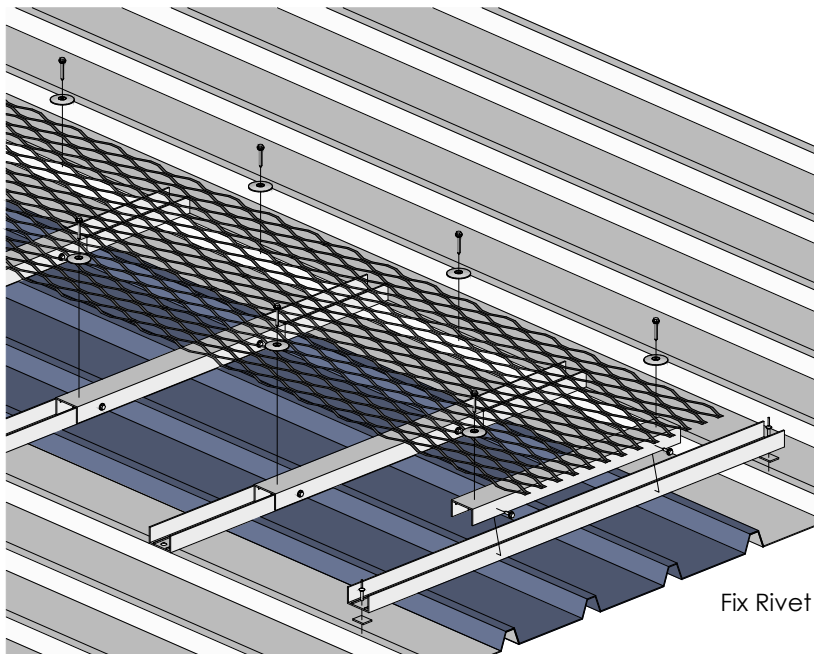
Angle spanning over skylight
(Apply EPDM on ribs)

Fix batten to angle in 'open' area

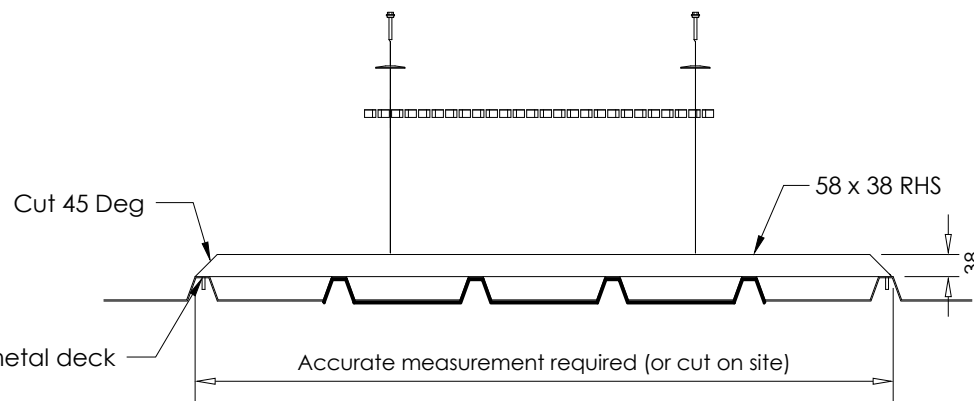
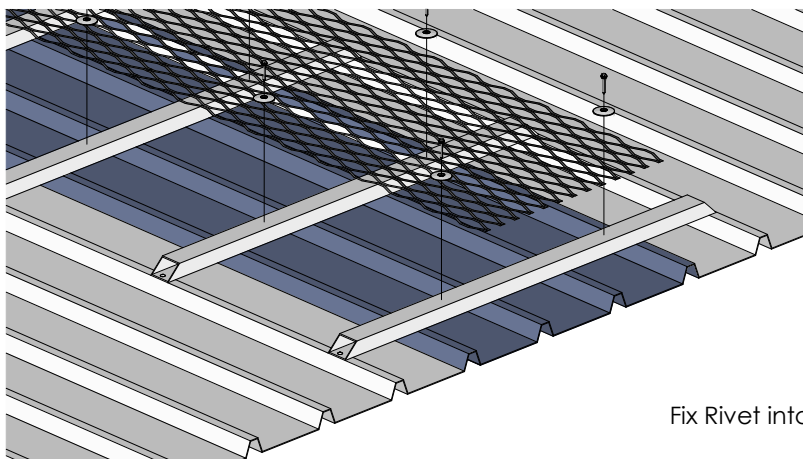
50 x 50 x 3 Angle
to span over skylight

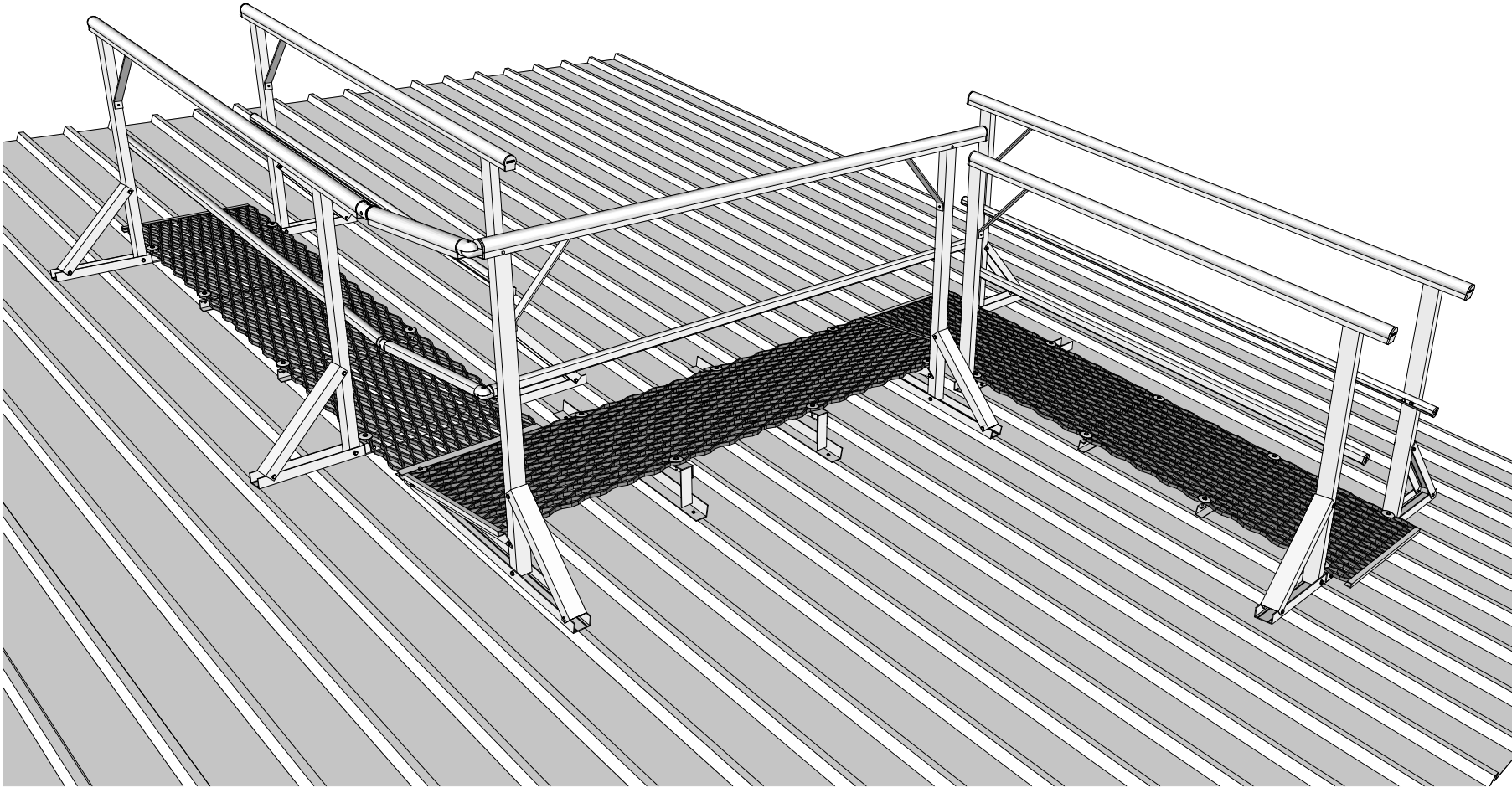


**WALKWAY OVER SKYLIGHT (LENGTH WAYS)
USING C-CHANNEL (AL729)**



**WALKWAY OVER SKYLIGHT (LENGTH WAYS)
USING RHS (AL766)**





Note: All Drawings are designed to comply with AS 1657



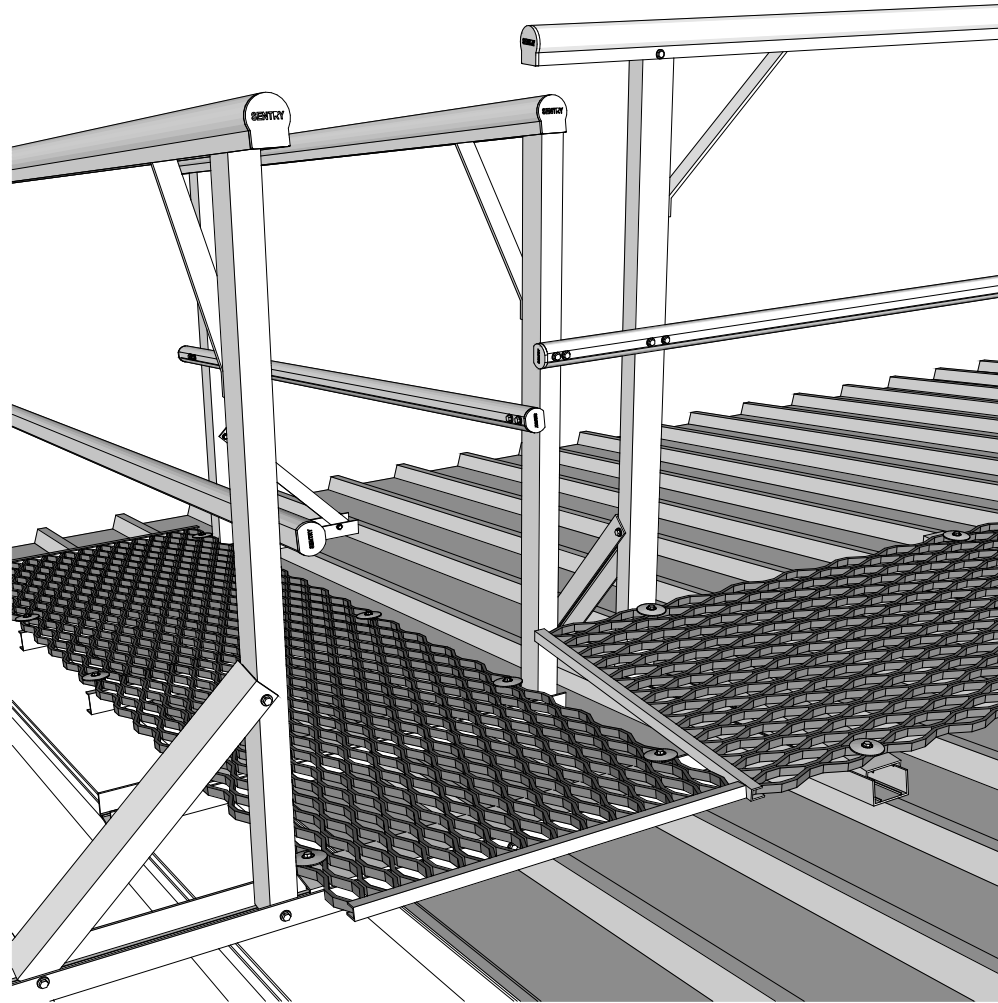
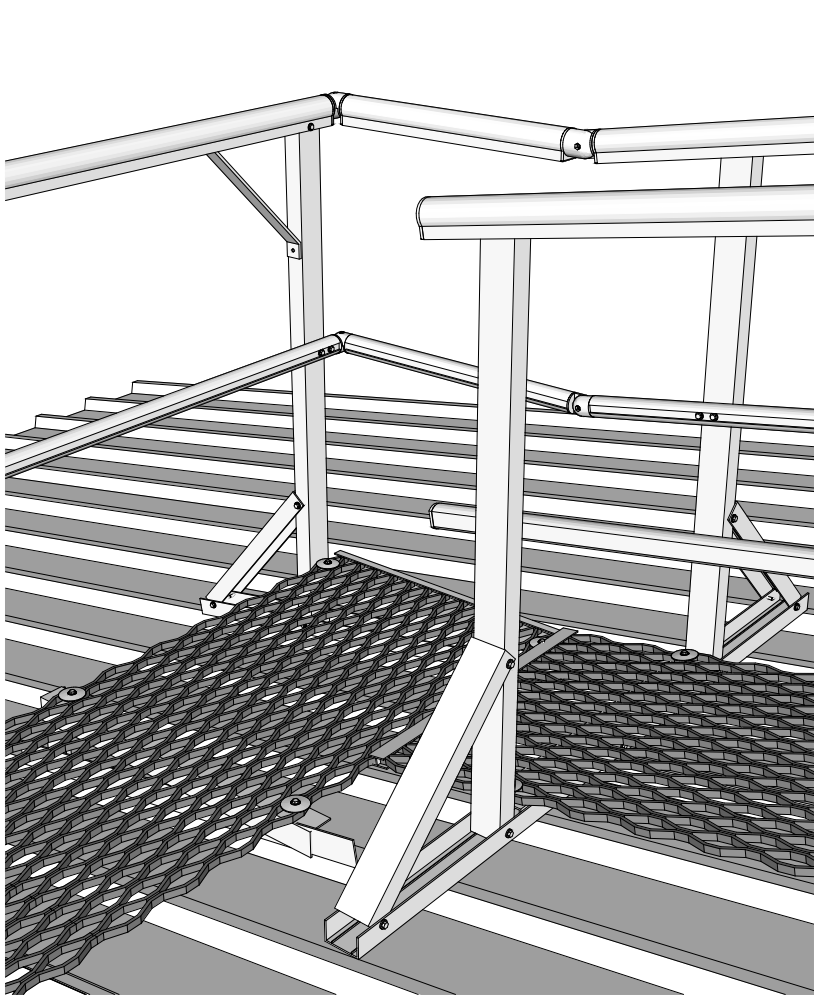
1029 MOUNTAIN HWY BORONIA VIC 3155
 T +61 1300 301 755 F +61 1300 881 092
 E sales@sayfa.com.au E sayfa.com.au

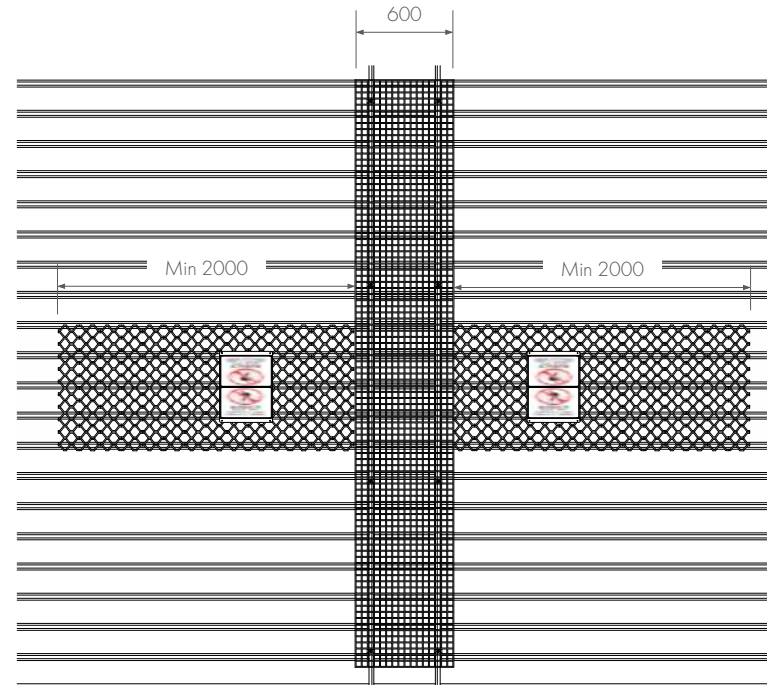
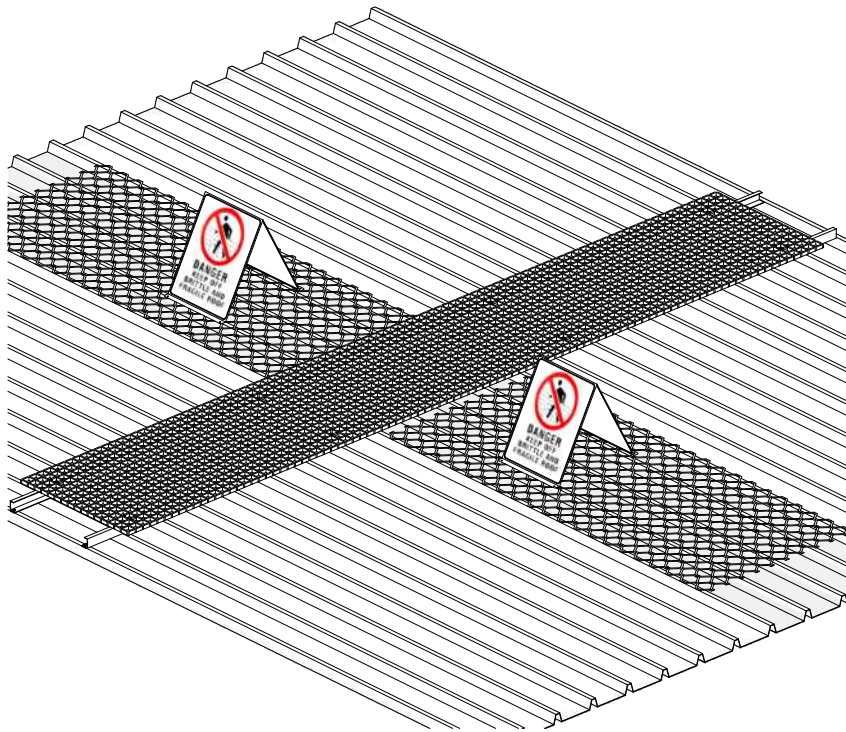
THIS PROPERTY REMAINS THE PROPERTY OF SAYFA GROUP AND MAY NOT BE CHANGED WITHOUT WRITTEN PERMISSION FOR FURTHER INFORMATION REFER TO OUR WEBSITE AT sayfa.com.au

DESCRIPTION
 Sentry Guardrail and Walkway - Corner
 Details

DRG No.	DATE
3799	12/03/19
Code	REV
GW300	2



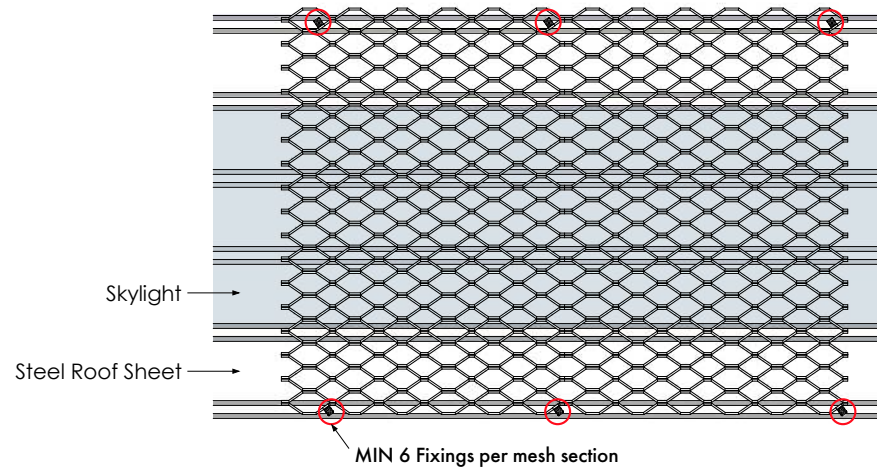
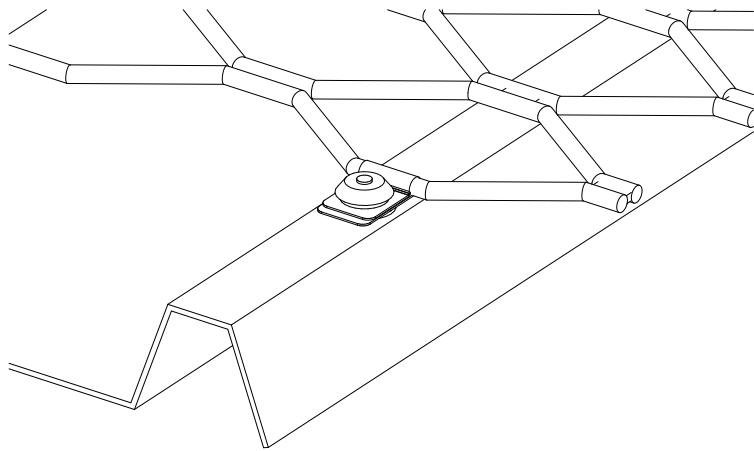
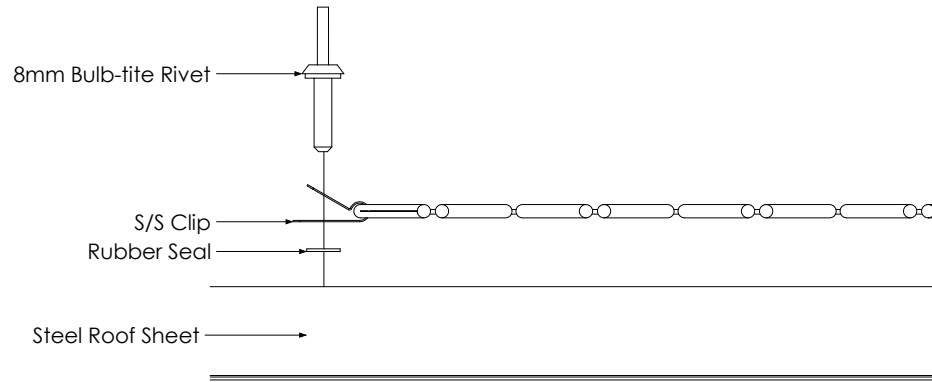
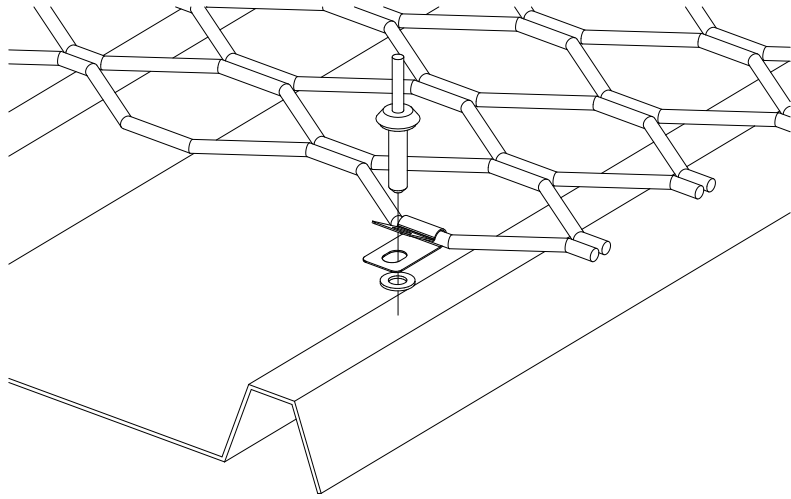




Notes

- FRP walkway must be supported using c-batten over skylight area
- Skylight mesh to extend 2000mm minimum either side of walkway
- Danger/Brittle roof signs to be placed either side of walkway on skylight mesh
- Skylight protector mesh must be provided if skylight is within 3000mm of walkway or general working area
- Installation to be according to manufacturers requirements

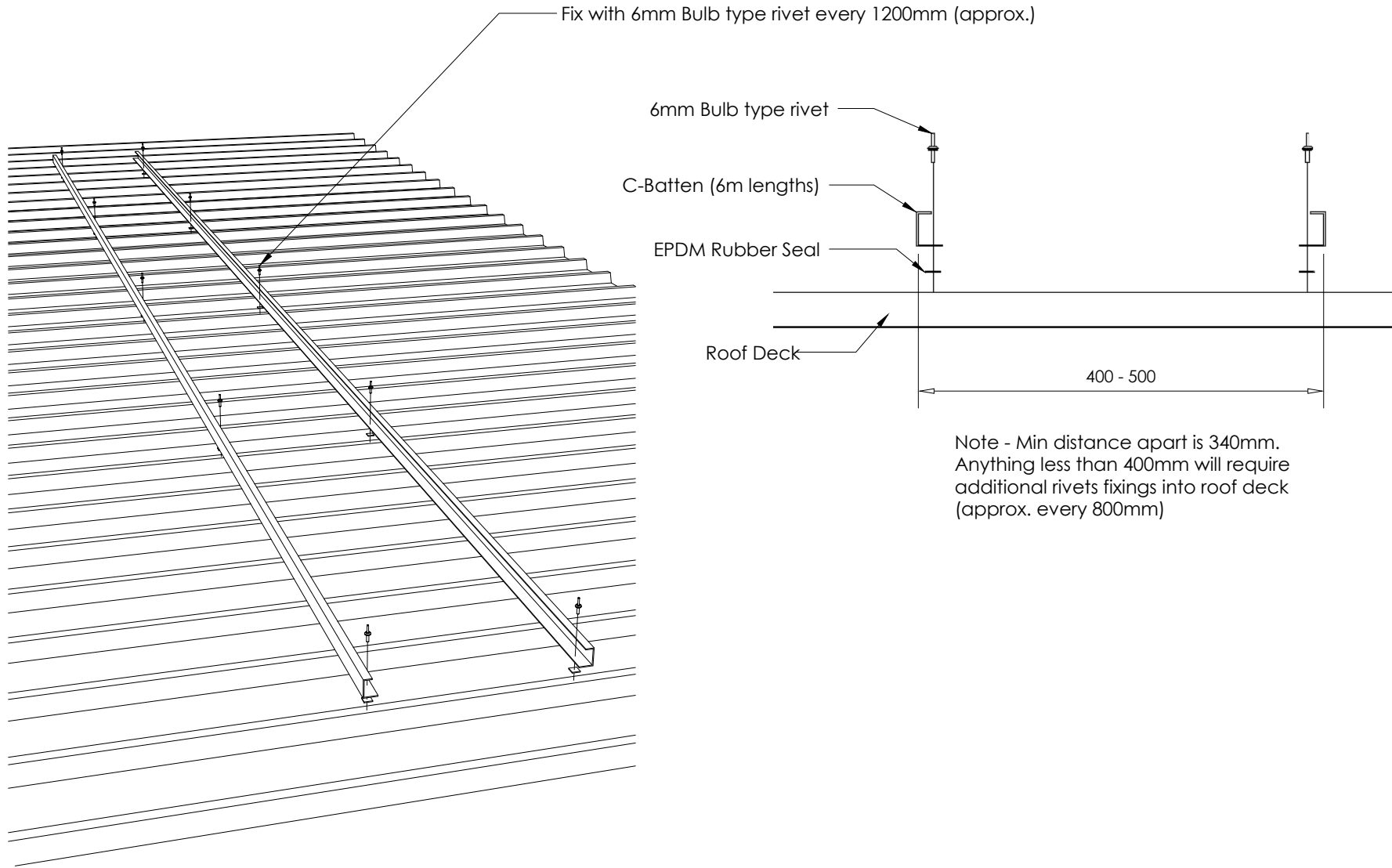


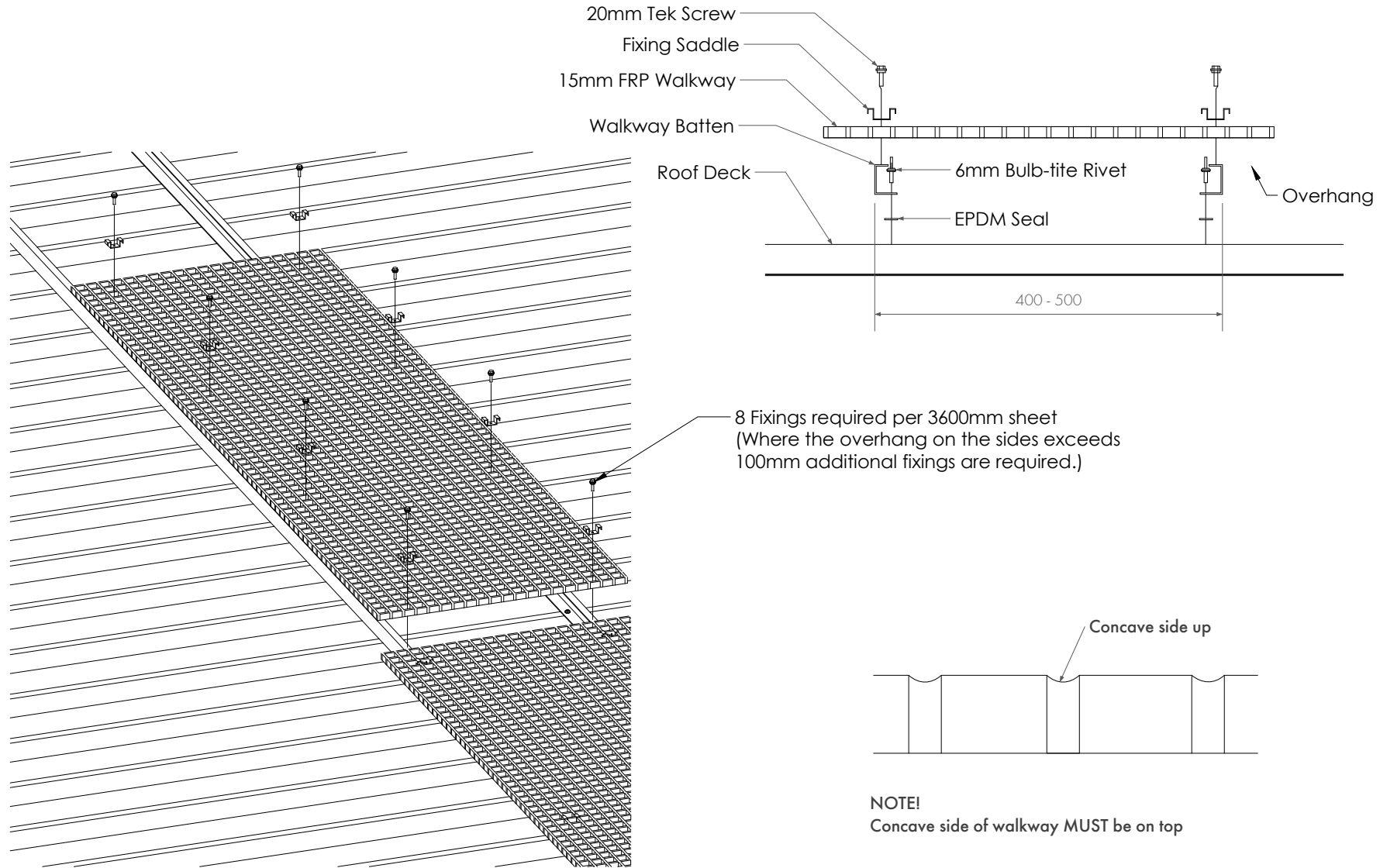


Notes

- This mesh is not designed as a trafficable surface
- Danger/Brittle roof warning signs must be placed on skylight mesh
- Installation to be in accordance with manufacturers requirements





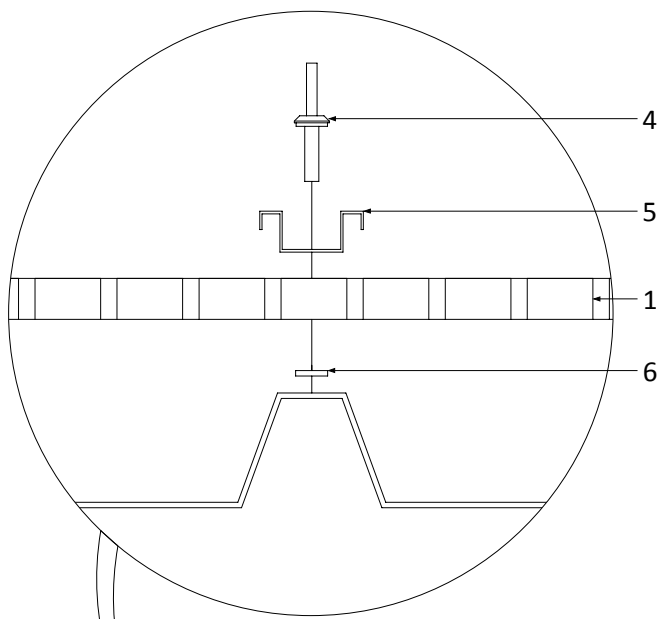
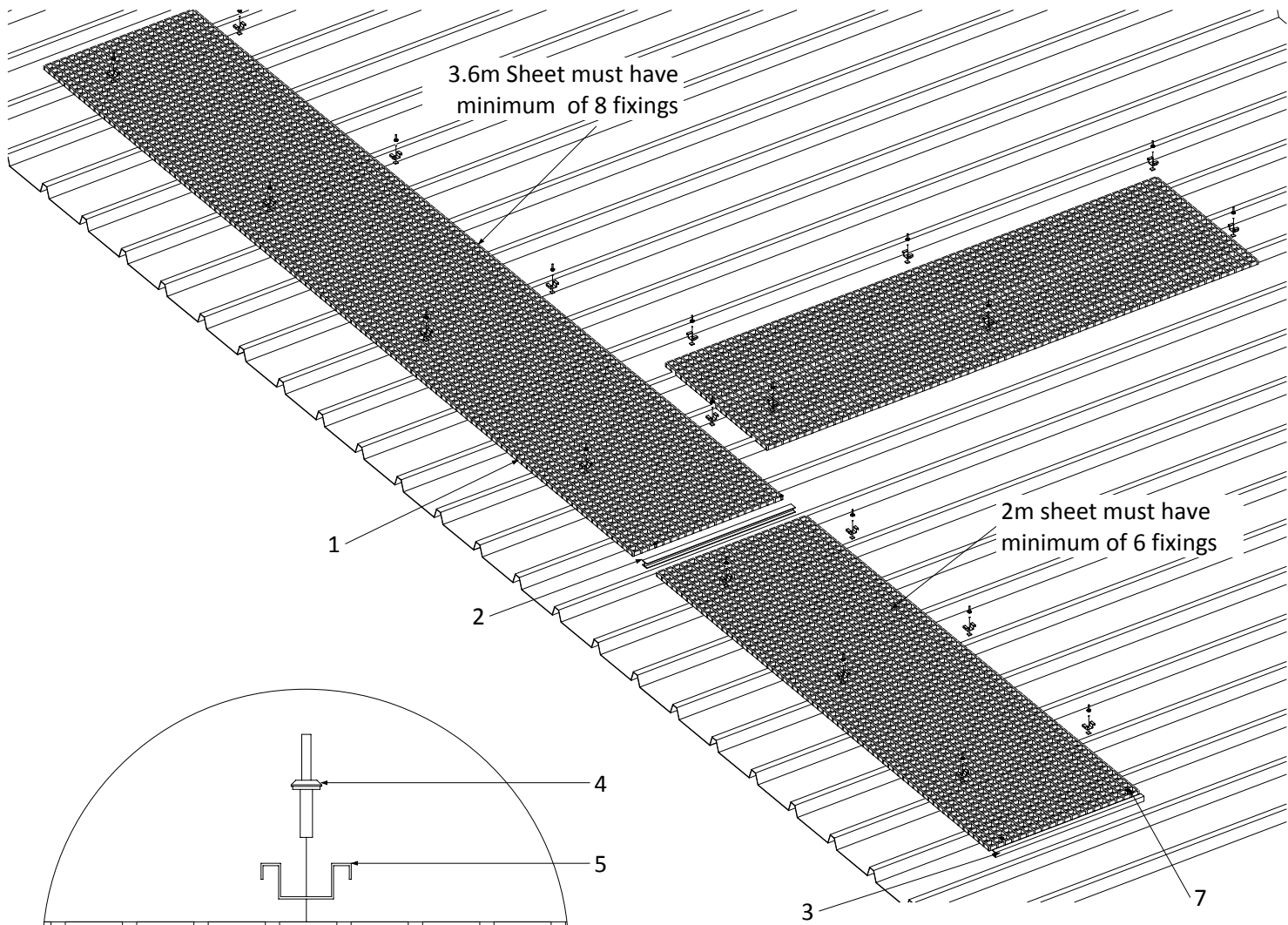


Notes

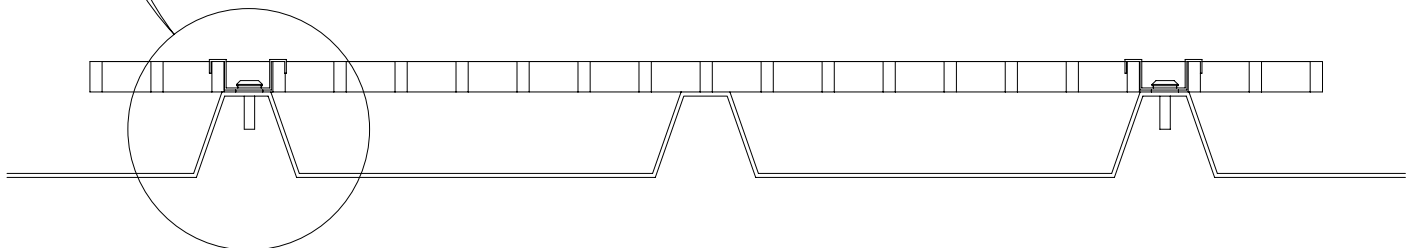
- Walkway on battens provides improved spread load on roof deck
- Requires less fixings into roof deck
- To be installed according to AS 1657:2013
- Installation to be according to manufacturers requirements

NOTE!
Concave side of walkway **MUST** be on top





- 1. GW364/365 On-Trak Fibre Walkway Grating (yellow or grey)
- 2. GW366 On-Trak Joiner Bar (yellow or grey)
- 3. GW367 On-Trak Edge Bar (yellow or grey)
- 4. SD913 - 5mm Bulb Tite rivet
- 5. GW369.20 On-Trak fixing saddle
- 6. SD902 Nitrile Foam Seal
- 7. SD911 Wafer Tek Screw



Sayfa Systems
 44 Kalman Drive
 Boronia Vic 3155
 Tel:- 03 8727 9000
 Fax:- 03 8727 9005
 Web:- www.sayfa.com.au

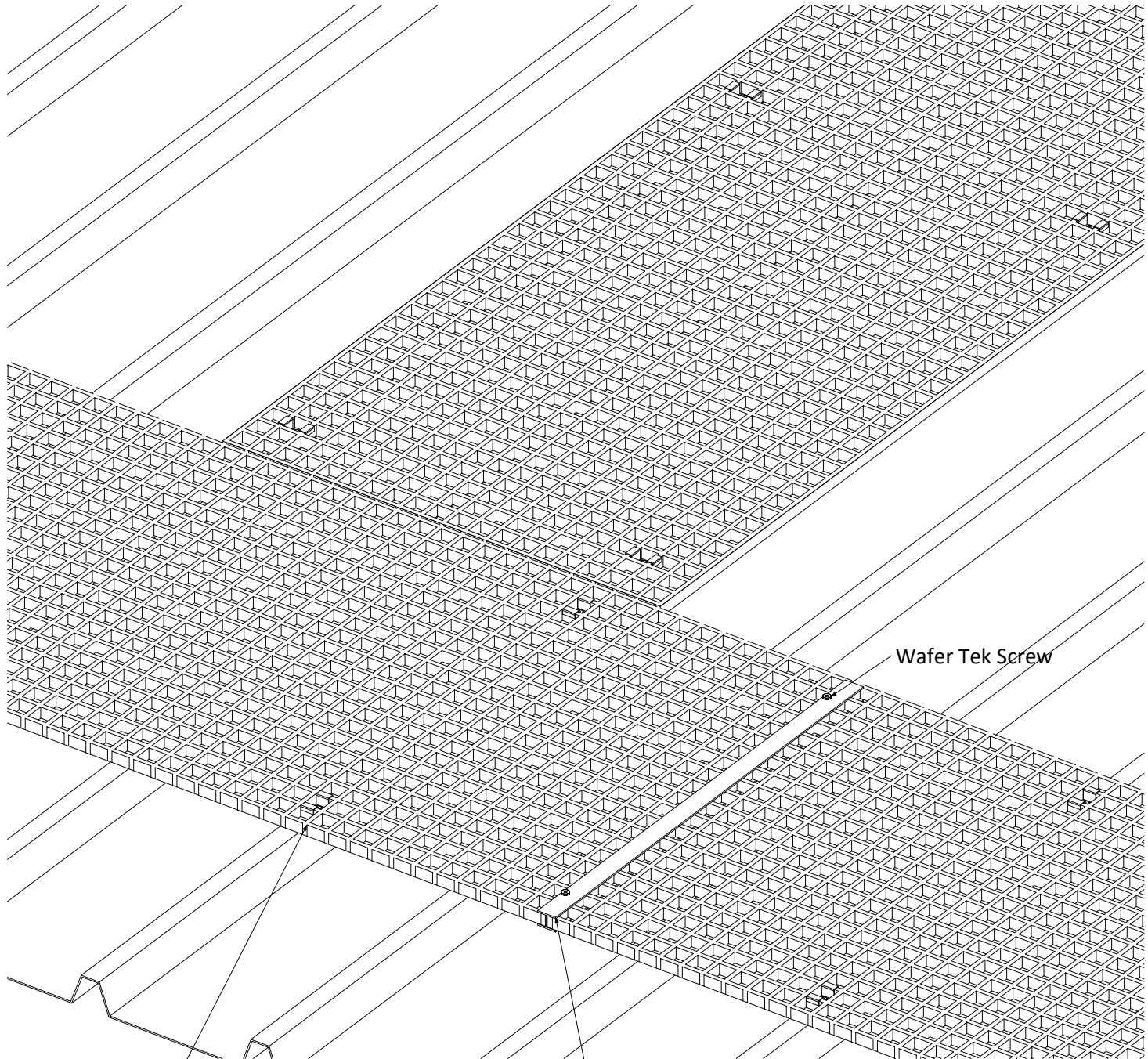
SAYFA SYSTEMS CONFIDENTIAL MATERIAL
 This drawing is copyright© and all rights are reserved. The design and specifications contained herein are confidential and the property of SAYFA SYSTEMS. The information may not be divulged or used in any form or by any means, for any purpose other than that stated by SAYFA SYSTEMS. Storage or transmittal, copying or reproduction, viewing or scanning of this Drawing by any person or party, whether in whole or in part is prohibited, except with express prior written consent by SAYFA SYSTEMS.

GW10/11 On-Trak FRP Walkway Details

Material
 FRP Walkway

REVISIONS

MM/DD/YY	REMARKS
1 4/12/09	...
2	...
3	...
4	...
5	...



SEE NOTE

Joiner Bar

Wafer Tek Screw

NOTES

When fixing accross roof ribs, put fixings one rib away from joiner (If possible) as this has a better strength due to canterlever.

Screw wafer tek screw on one side only to allow for expansion and contraction.



Sayfa Systems
 44 Kalman Drive
 Boronia Vic 3155
 Tel:- 03 8727 9000
 Fax:- 03 8727 9005
 Web:- www.sayfa.com.au

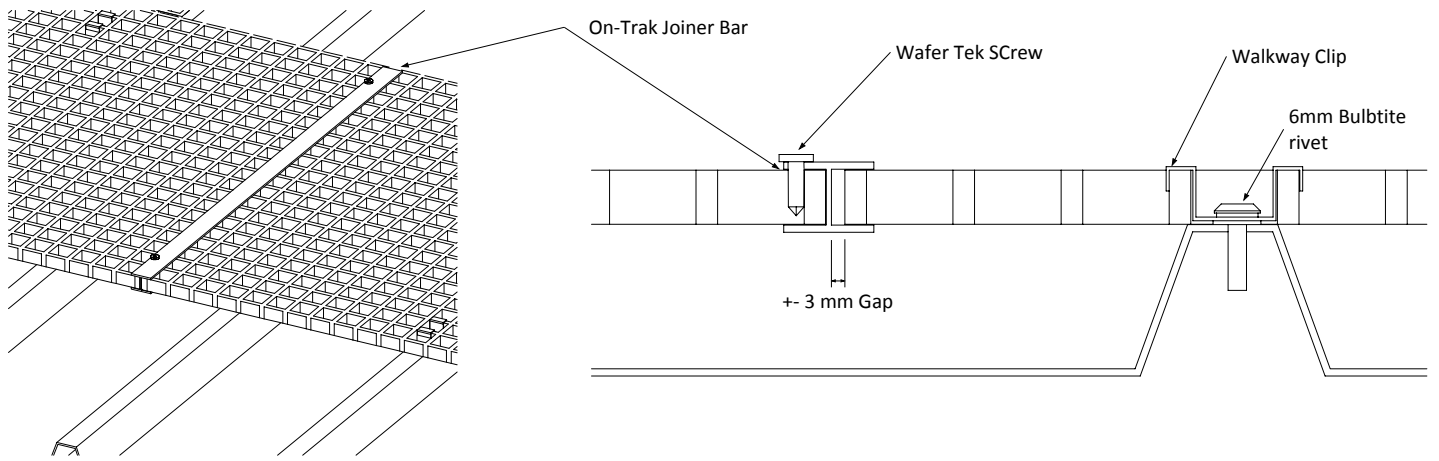
SAYFA SYSTEMS CONFIDENTIAL MATERIAL
 This drawing is copyright© and all rights are reserved. The design and specifications contained herein are confidential and the property of SAYFA SYSTEMS. The information may not be divulged or used in any form or by any means, for any purpose other than that stated by SAYFA SYSTEMS. Storage or transmittal, copying or reproduction, viewing or scanning of this Drawing by any person or party, whether in whole or in part is prohibited, except with express prior written consent by SAYFA SYSTEMS.

GW10/11 On-Trak FRP Walkway Details

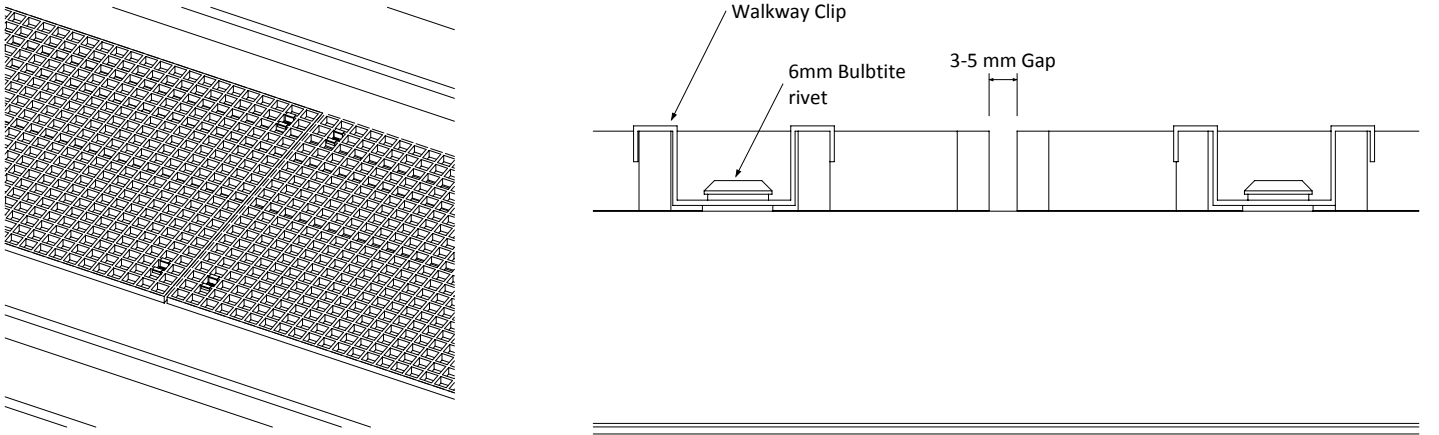
Material
 FRP Walkway

REVISIONS

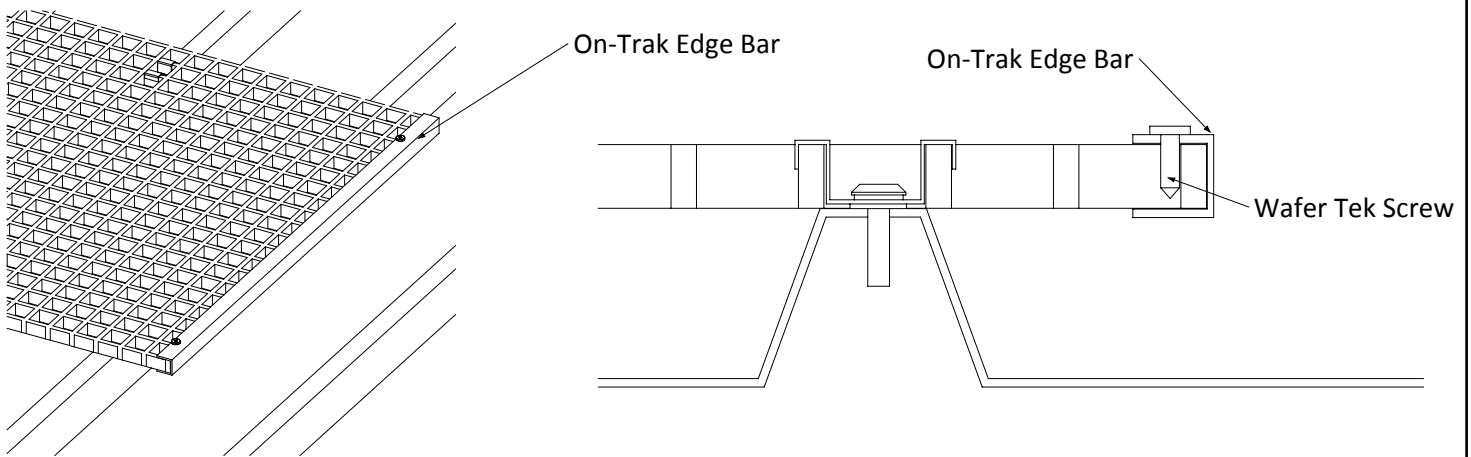
MM/DD/YY	REMARKS
1 4/12/09	...
2	...
3	...
4	...
5	...



Joiner Detail with walkway across roof ribs



Detail with walkway in-line with roof ribs - no joiner required



Edgebar Detail



Sayfa Systems
 44 Kalman Drive
 Boronia Vic 3155
 Tel:- 03 8727 9000
 Fax:- 03 8727 9005
 Web:- www.sayfa.com.au

SAYFA SYSTEMS CONFIDENTIAL MATERIAL
 This drawing is copyright© and all rights are reserved. The design and specifications contained herein are confidential and the property of SAYFA SYSTEMS. The information may not be divulged or used in any form or by any means, for any purpose other than that stated by SAYFA SYSTEMS. Storage or transmittal, copying or reproduction, viewing or scanning of this Drawing by any person or party, whether in whole or in part is prohibited, except with express prior written consent by SAYFA SYSTEMS.

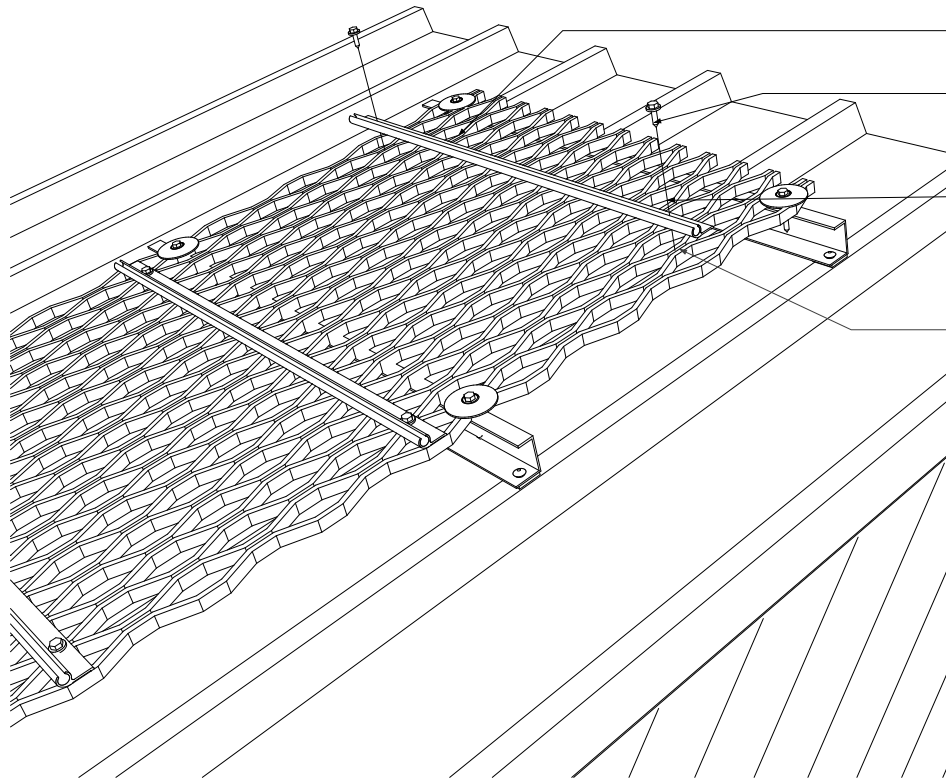
GW10/11 On-Trak FRP Walkway Details

Material

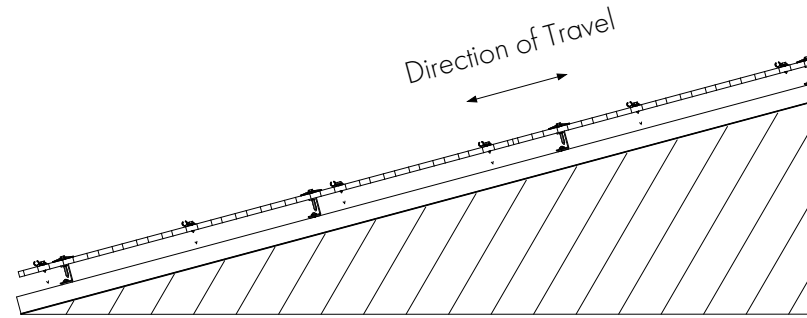
FRP Walkway

REVISIONS

	MM/DD/YY	REMARKS
1	4/12/09	...
2		...
3		...
4		...
5		...



- Walkway Cleat
(GW340 - Cleat Section, 30 x 13mm - 595mm)
- SD907.20 - 20mm Tek Screw
- Pre-drill 5mm hole through cleat
- Screw into webbing of walkway



Walkway on Sloping Roofs

(Along Slope)

Walkway can be used in the range from 0° - 20° .
Any walkway slope from 10° - 20° will need cleats installed.

Cleat Spacings:

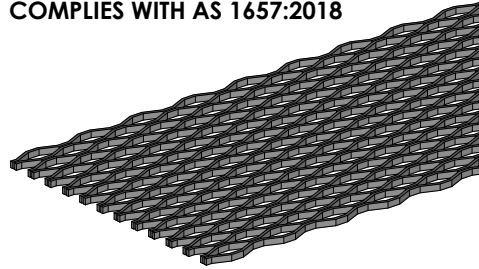
Slopes 10°- 15° - 450mm

Slopes 15+°- 18° - 400mm

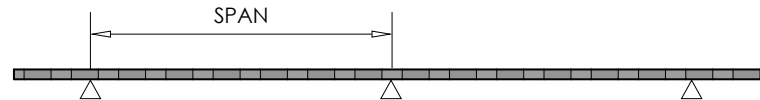
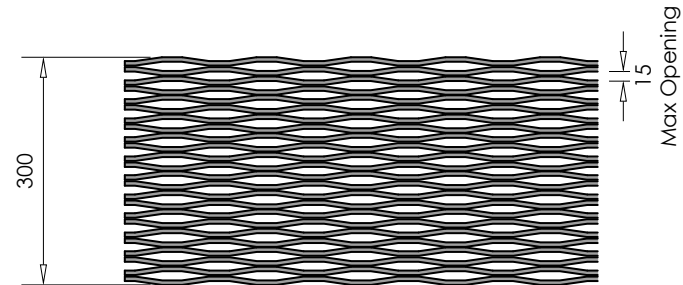
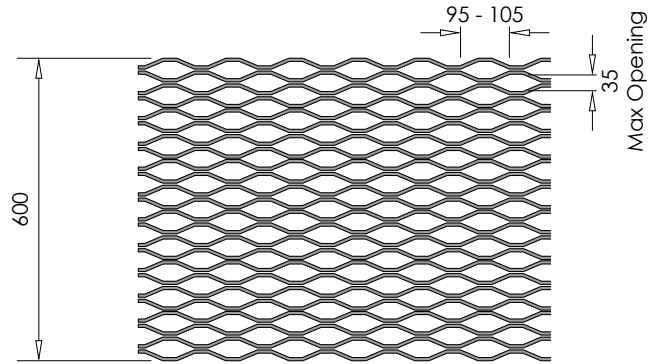
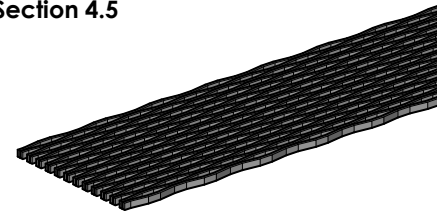
Slopes 18+°- 20° - 350mm



GW335
COMPLIES WITH AS 1657:2018



GW334
COMPLIES WITH AS 1657:2018
Section 4.5



APPROX 55% OPEN AREA

APPROX 40% OPEN AREA

GW335 – 600MM WIDTH ALUMINIUM WALKWAY MESH		
MAX LOAD kPa UDL	SPAN	MAX DEFLECTION
2.5 kPa	700mm	7mm
4.0 kPa	450mm	5mm
5.0 kPa	400mm	4mm

GW334 – 300MM WIDTH ALUMINIUM WALKWAY MESH		
MAX LOAD kPa UDL	SPAN	MAX DEFLECTION
2.5 kPa	700mm	5mm
4.0 kPa	550mm	5mm
5.0 kPa	450mm	5mm

PLEASE REFER TO THE GW300 SPEC SHEET IN CONJUNCTION WITH THIS DOCUMENT



1029 MOUNTAIN HWY BORONIA VIC 3155
T +61 1300 301 755 **F** +61 1300 881 092
E sales@sayfa.com.au **E** sayfa.com.au

DESCRIPTION
PACE WALKWAY SPECIFICATIONS

DRG No. DATE
D9228 30/11/2020
Code REV
GW335/334 3

THIS PROPERTY REMAINS THE PROPERTY OF SAYFA GROUP AND MAY NOT BE CHANGED WITHOUT WRITTEN PERMISSION FOR FURTHER INFORMATION REFER TO OUR WEBSITE AT sayfa.com.au



ON-TRAK SPECIFICATION GUIDE

Supply and install the proprietary On-Trak Walkway System as per manufacturer, Sayfa Systems, recommendations. This non-metallic, fire retardant roof walkway system incorporates multidirectional, non-slip surface matrix suitable in exposed outdoor conditions. Manufactured from premium grade fire retardant and UV inhibited polyester resin incorporating a composite fibre inlay. Fixed to crest of roof deck utilising On-Trak fixing saddles or fixed to TrakTite mounting clips for non-penetration mounting. (Refer instruction manual.)

PRODUCT & SPECIFICATION CODE

On-Trak Walkway System (GW-10) – Grey
On-Trak Walkway System (GW-11) – Yellow

MATERIAL

Premium grade fire retardant, UV inhibited polyester resin incorporating a composite fibre reinforcement inlay (thermo setting in nature, not thermoplastic).

DIMENSIONS

Panel size – 3660mm (L) x 605mm (W)
Panel thickness – 15mm

WEIGHT

4.5kg/linear metre (7.5kg/m²)

FIXINGS

Rivet fix option – 5mm construction grade BulbTite rivets
Clip fix option – utilising unique non-penetrating TrakTite mounting clips (Refer instruction manual.)

WORKING LOAD LIMIT

Span (mm)	Concentrated Point Load (kg)	Maximum Load Capacity (kPa)	Maximum Deflection (mm)
305mm	158	10.1	3.05
457mm	78	4.9	4.57
610mm	45	2.5	6.10
914mm	-	0.8	9.14

All deflection and/or load data is based on standard 15mm x 605mm walkway panel (38mmx38mm mesh)

COMPLIANCE

On-Trak Walkway System is designed and manufactured generally in accordance with requirements of Australian Standard AS1657:1992 and relevant statutory OHS Codes of Practice/Guidelines.

TESTING

Testing and performance based on requirements of Australian Standard AS1657:1992.

PRODUCT WARRANTY

10 years from date of purchase, subject to installation and use in accordance with manufacturer's specifications and recommendations.

INSPECTION AND MAINTENANCE

Visual inspection for any damage or loose fixings must be done periodically and prior to use. No certified maintenance is required. Basic wear and tear preventative maintenance is recommended, as per manufacturer's specifications and recommendations. (Refer instruction manual.)

Designed and manufactured by Sayfa Systems

44 Kalman Drive,
Boronia VIC 3155
T \ 1300 301 755
F \ 1300 881 092
E \ info@sayfa.com.au
W \ www.sayfa.com.au